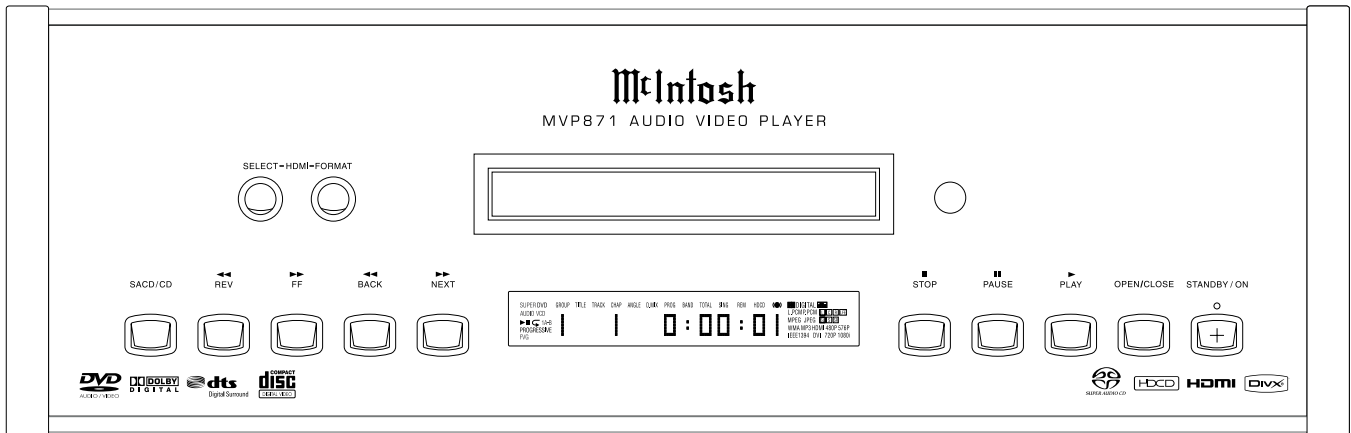




MVP871

AUDIO VIDEO PLAYER

SERIAL NO. XS1001 And Above



CONTENTS

Performance Specifications.....	2	Power Schematic and PCB.....	9 - 12
Notes.....	2	Primary Schematic and PCB	13 - 14
Rear Panel	3	Display Schematic and PCB.....	15 - 18
Section Location.....	3	Audio Schematic and PCB.....	19 - 28
Block Diagram	4	Parts List	31 - 37
Interconnection Diagram.....	7 - 8	Repacking Instruction	39

SERVICE MANUAL

Serial Number XS1001 And Above

PERFORMANCE SPECIFICATIONS

Audio Specifications

Number of Channels

2 and 5.1

Output Level

4.0Vrms Balanced (2 channel Output)

2.0Vrms Unbalanced (2 channel Output and 5.1 Channels)

Output Impedance

600 ohms Balanced (2 channel Output)

600 ohms Unbalanced (2 channel Output and 5.1 Channels)

Audio Frequency Response (DVD-Video)

4Hz to 22,000Hz (48kHz Sampling, Linear Audio)

4Hz to 44,000Hz (96kHz Sampling, Linear Audio)

Audio Frequency Response (DVD-Audio)

4Hz to 88,000Hz (192kHz Sampling)

SACD Frequency Response

4Hz to 100,000Hz

CD Frequency Response

4Hz to 20,000Hz

Signal to Noise Ratio

115dB

Dynamic Range

110dB

Harmonic Distortion

0.002%

Channel Separation

Better than 110dB (1,000Hz)

Video Specifications

Signal System

NTSC/PAL Region Code 1

Component Video Output Level

Y Output Level 1.0Vp-p (75 OHM)

P_B/C_B Output Level 0.648Vp-p (75 OHM)

P_R/C_R Output Level 0.7Vp-p (75 OHM)

S-Video Y Output Level

1Vp-p (75 OHM)

S-Video C Output Level

0.286Vp-p (75 OHM) (NTSC)

Composite Video Output Level

1Vp-p (75 OHM)

General Specifications

Digital Output

Optical: -15dbm to -21dbm

Coaxial: 0.5V p-p/75 ohm

Digital Signal Format

Sampling Frequencies: 44.1kHz, 48.0kHz, 96.0kHz

Transport

Laser Beam Wavelength: 650nm (DVD) / 790nm (CD)

Laser Power: CLASS IIa/CLASS I

Power Requirements

100 Volts, 50/60Hz at 60 watts

110 Volts, 50/60Hz at 60 watts

120 Volts, 50/60Hz at 60 watts

220 Volts, 50/60Hz at 60 watts

230 Volts, 50/60Hz at 60 watts

240 Volts, 50/60Hz at 60 watts

Note: Refer to the rear panel of the MVP871 for the correct voltage.

Overall Dimensions

Width is 17-1/2 inches (44.45cm)

Height is 6 inches (15.24cm)

Depth is 15-7/8 inches (40.32cm)

Note: When the Disc Tray is opened, the panel clearance required in front of mounting panel is 6-3/4 inches (17.2cm).

Weight

27.5 pounds (12.5Kg) net, 43.9 pounds (20.0Kg) in shipping carton

Shipping Carton Dimensions

Width is 26-1/2 inches (67.3cm)


Depth is 24-1/4 inches (62.2cm)

Height is 11-3/4 inches (29.9cm)

NOTES

1. The heavy notes on the schematic denote the primary signal path.
2. Unless otherwise noted, all voltages indicated on the schematics are measured under the following conditions:
 - a. AC input at 120 volts, 50/60Hz.
 - b. All voltages are +/-10% with respect to ground. A high impedance (10 megaohm) voltmeter must be used.
3. Unless otherwise specified:
 - a. Resistor values are in ohms.
 - b. Capacitor values are microfarads (uF).
 - c. Inductor values are in microhenries (uH).
4. On PC board drawings, Square pad indicates:
 - a. Polarized Capacitors - Positive
 - b. Diodes - Cathode
 - c. Others - Pin 1

5. WARNING

Parts marked with the symbol  have critical characteristics. Use only replacement parts recommended by the manufacturer.

6. Use McIntosh Remote Control Model HR062 with the MVP871.

CAUTION:

Servicing of laser mechanism is to be performed at the service facility at McIntosh Laboratory Inc.

SAFETY INFORMATION

CAUTION: Invisible Laser Radiation when open. DO NOT stare into the beam or view directly with optical instruments. Use of controls or adjustments or performance of procedures other than those specified in the Owners Manual may result in Hazardous Radiation Exposure.

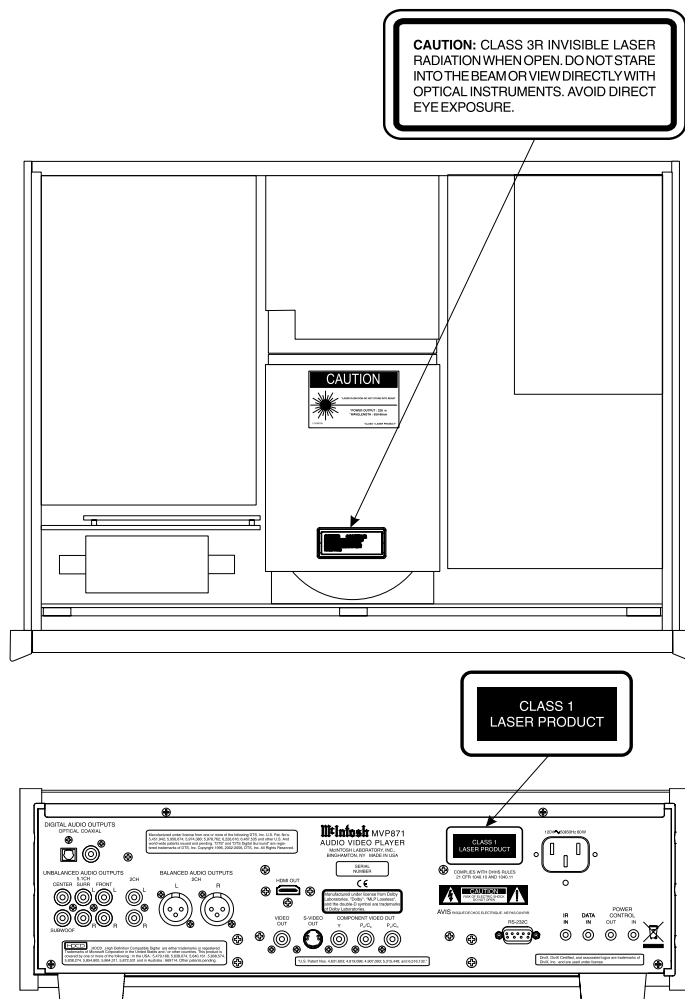
Servicing of laser mechanism is to be performed at the service facility at McIntosh Laboratory Inc.

This product incorporates an embedded Class 3R Laser (IEC60825-1).

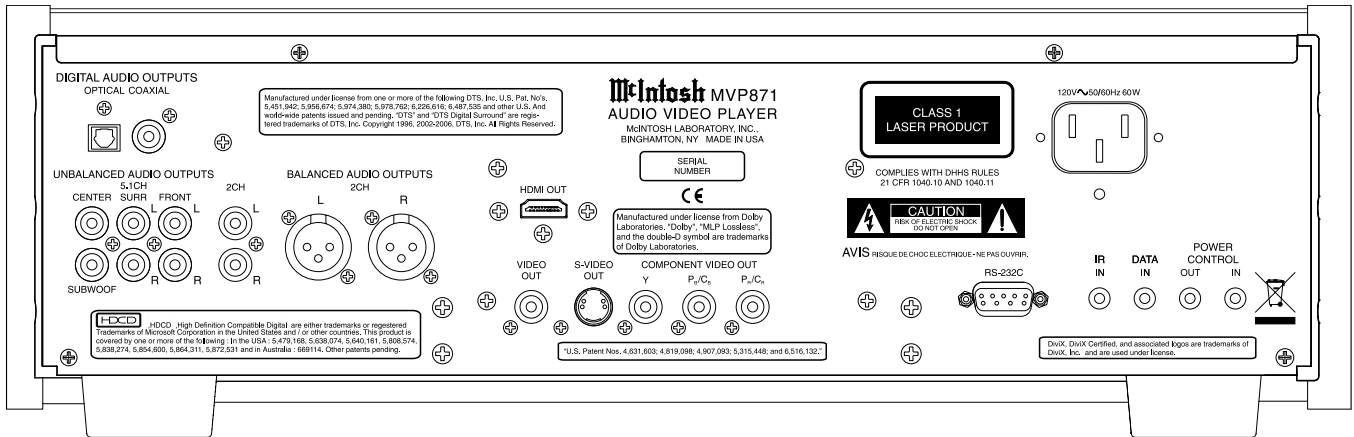
LUOKAN 1 LASERLAITE KLASS 1 LASER APPARAT

VAROITUS! Laitteen käyttäminen muulla kuin tassa käyttöohjeessa mainitulla tavalla saattaa altistaa käyttäjän turvallisuusluokan 1 ylittävälle näkymättömälle lasersäteilylle.

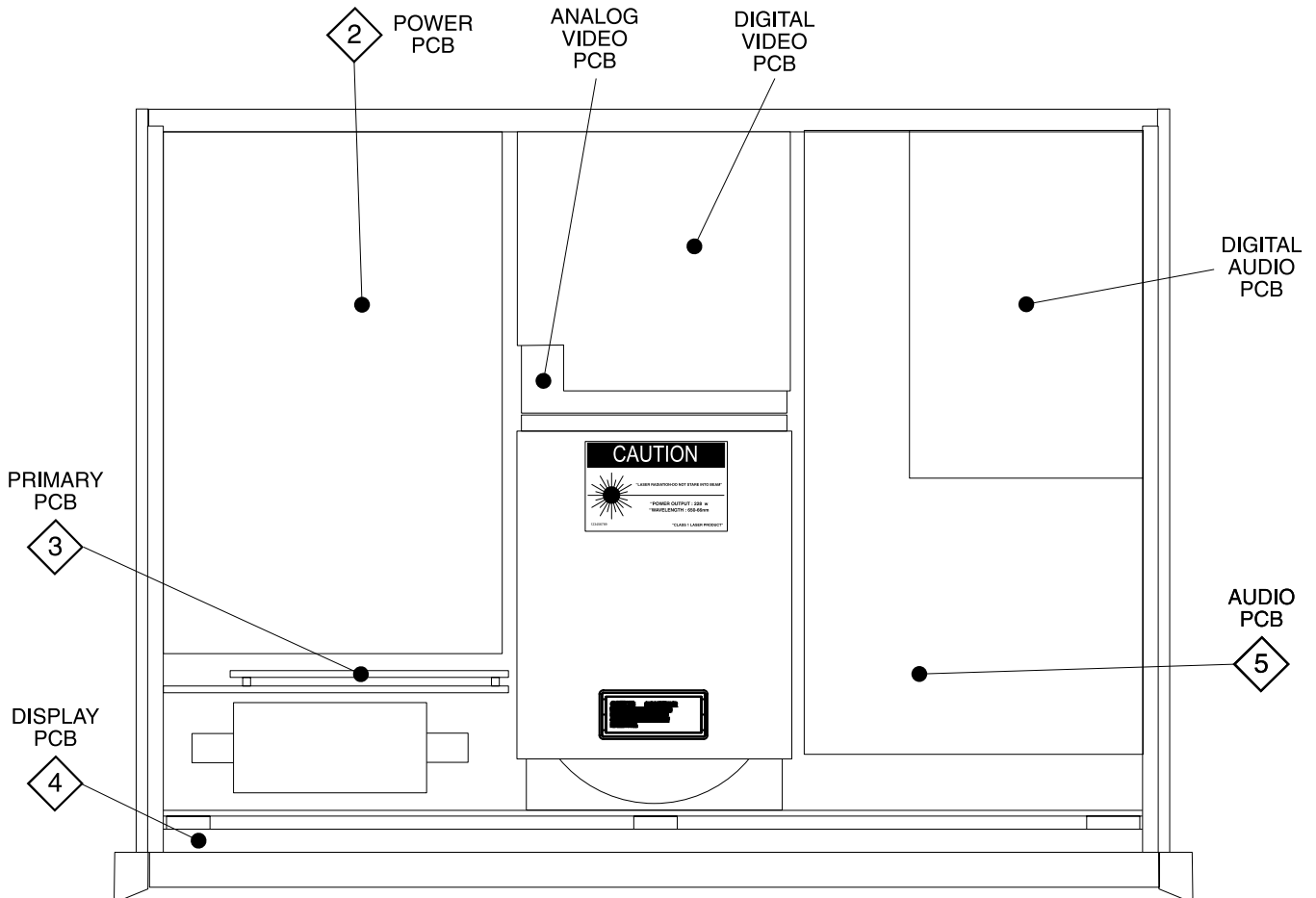
WARNING! Om apparaten används på annat sätt än i denna bruksanvisning specificerats, kan användaren utsättas för osynlig laserstrålning, som överskrider gränsen för laserklass 1.



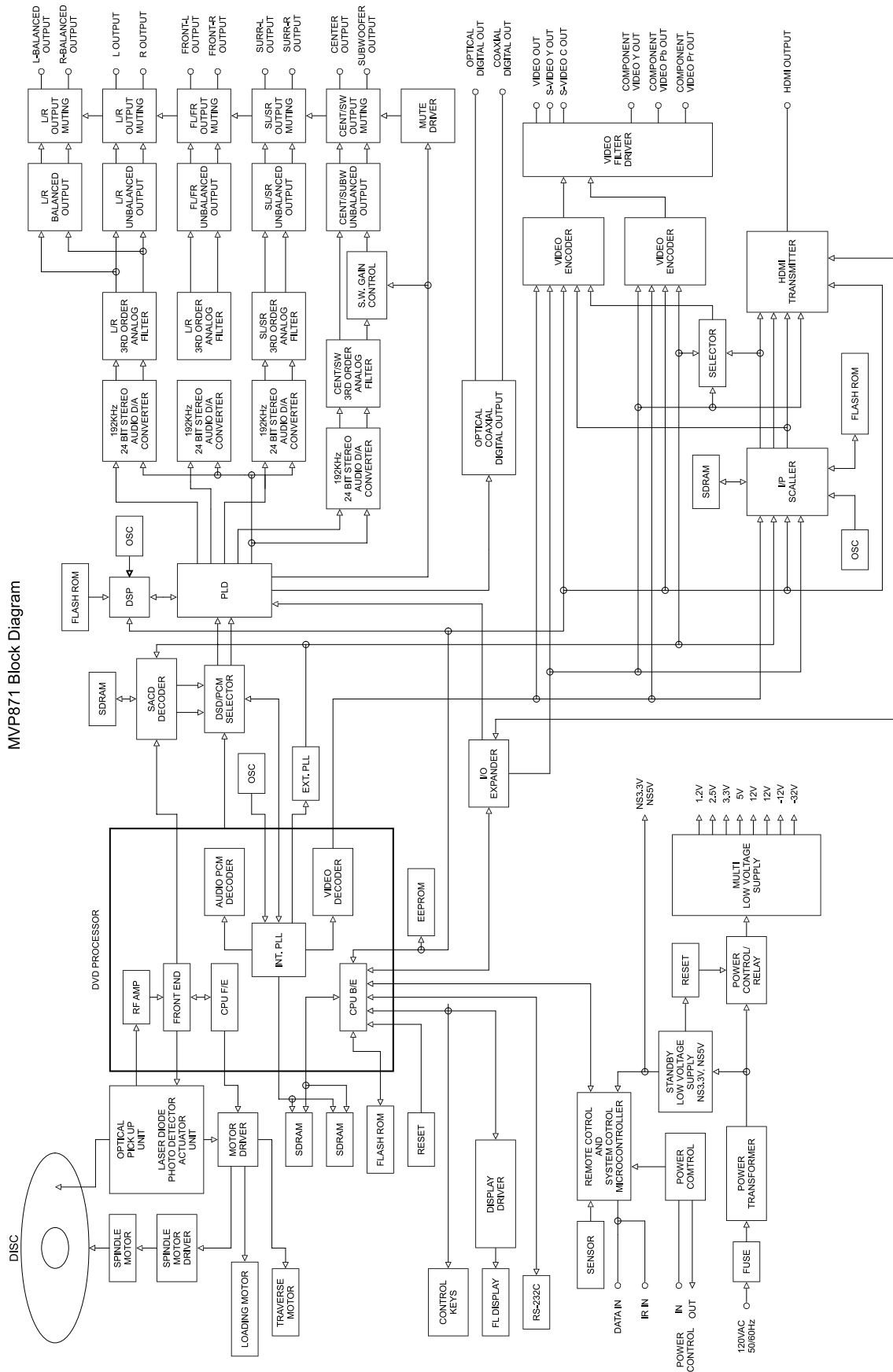
REAR PANEL



SECTION LOCATION

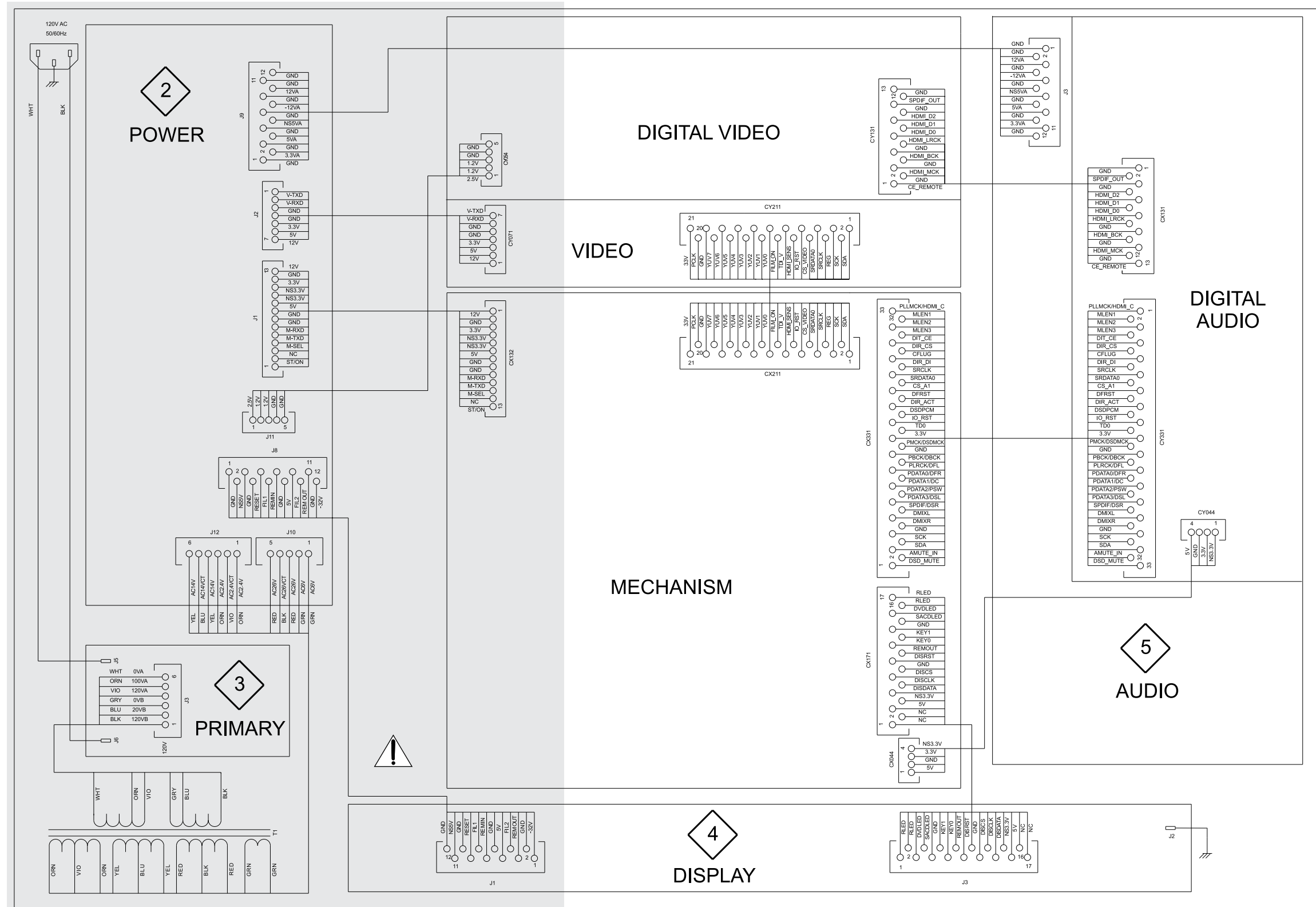


BLOCK DIAGRAM



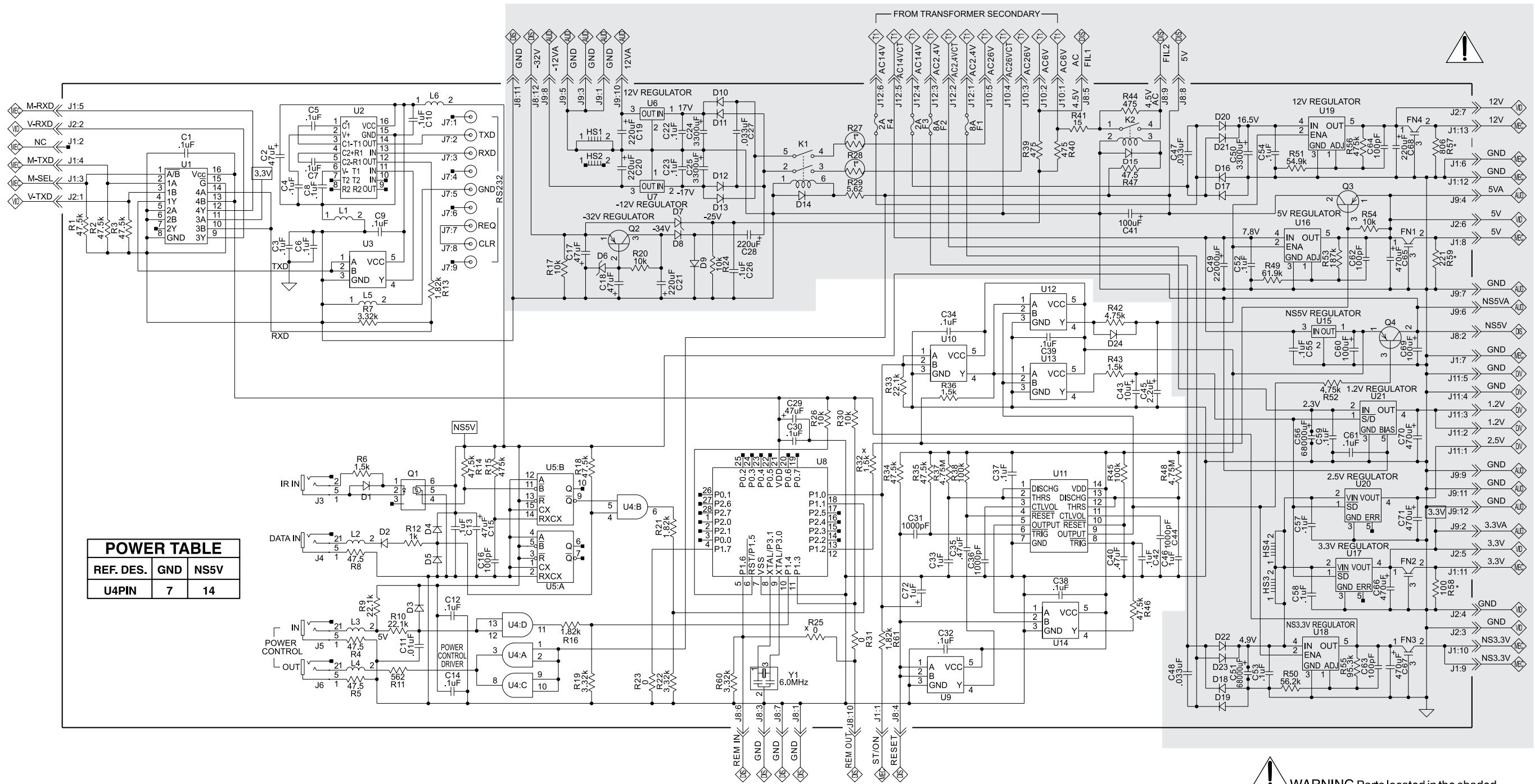
NOTES

1 INTERCONNECT



! WARNING Parts located in the shaded area have critical characteristics. Use only replacement parts recommended by the manufacturer.

2 POWER SCH 750613

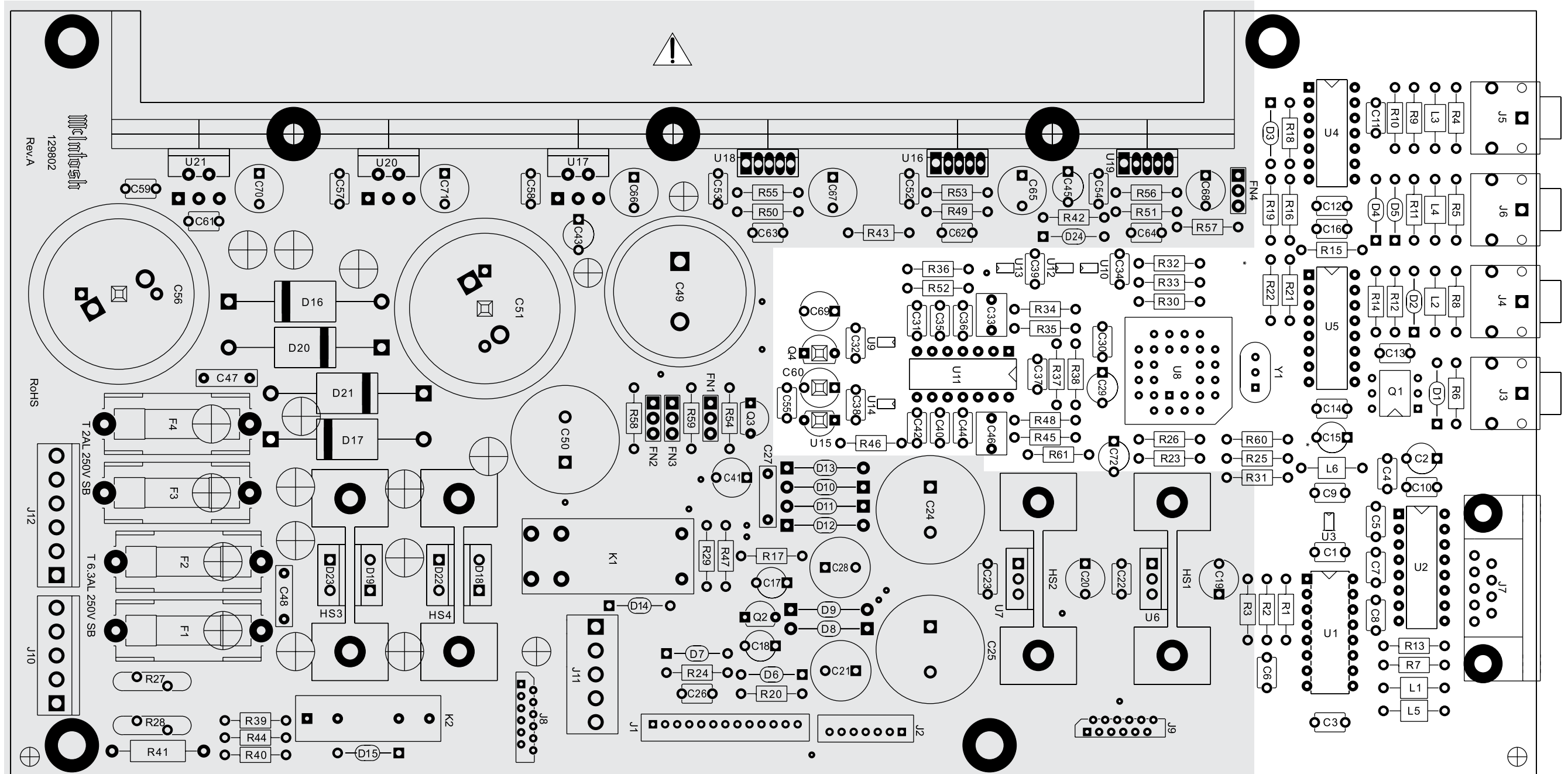


POWER TABLE

REF. DES.	GND	NS5V
U4PIN	7	14

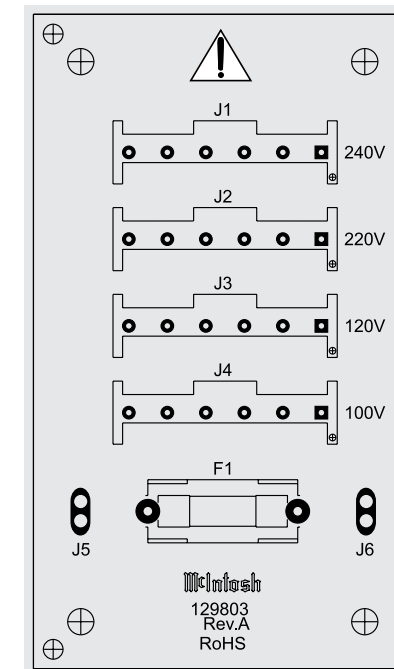
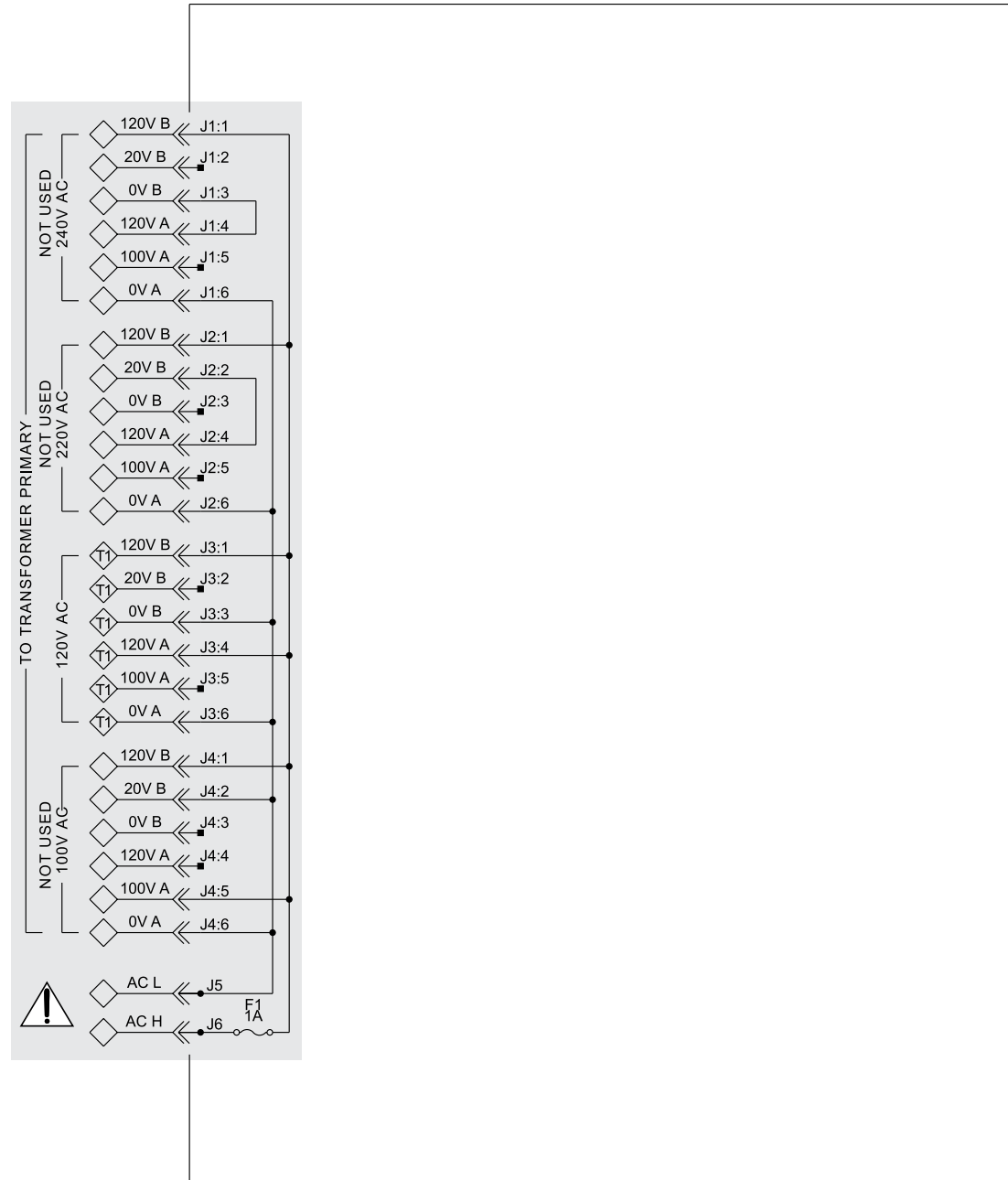
WARNING Parts located in the shaded area have critical characteristics. Use only replacement parts recommended by the manufacturer.

2 POWER PCB 750613



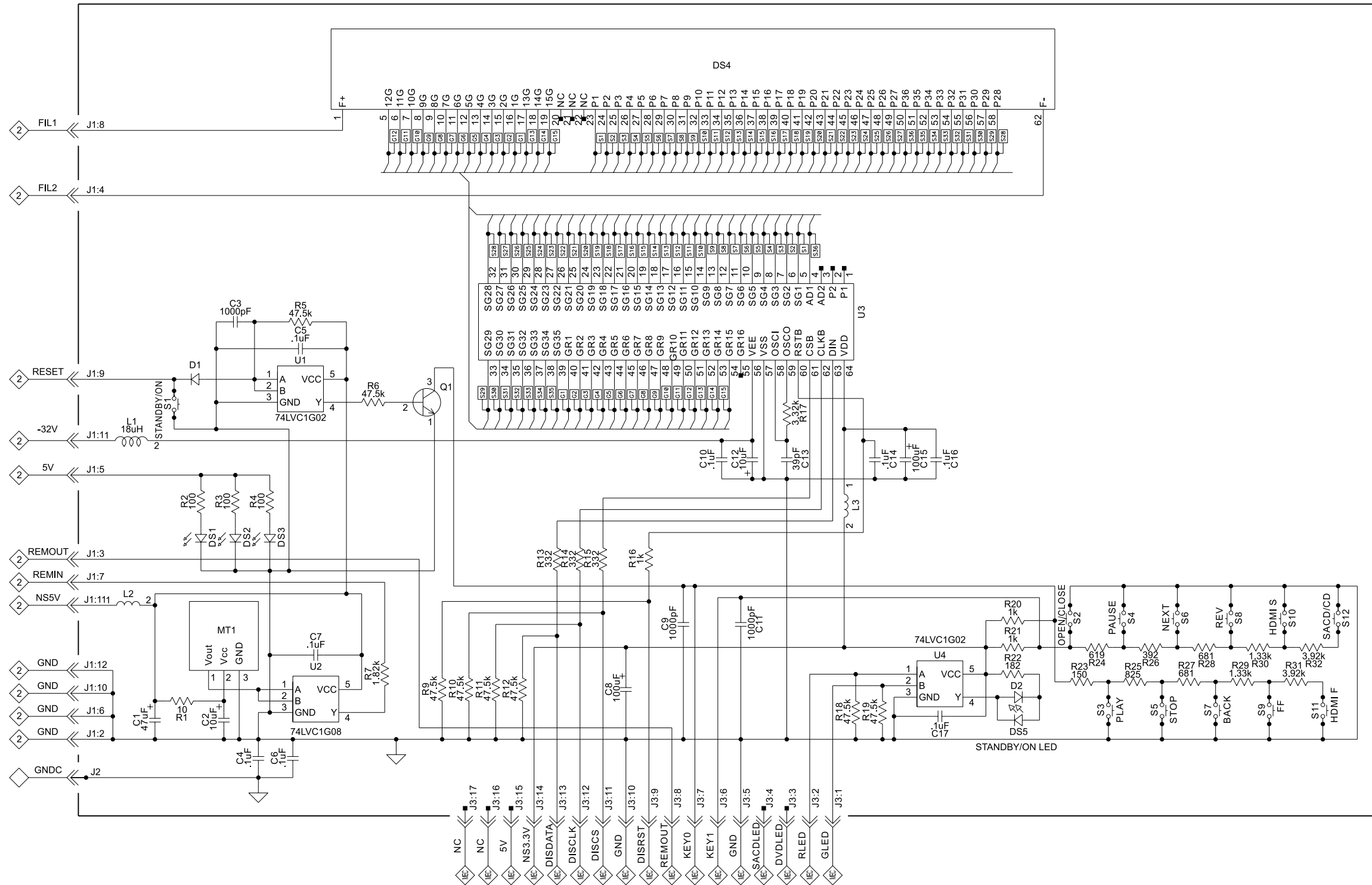
! WARNING Parts located in the shaded area have critical characteristics. Use only replacement parts recommended by the manufacturer.

3 PRIMARY SCH and PCB 750614

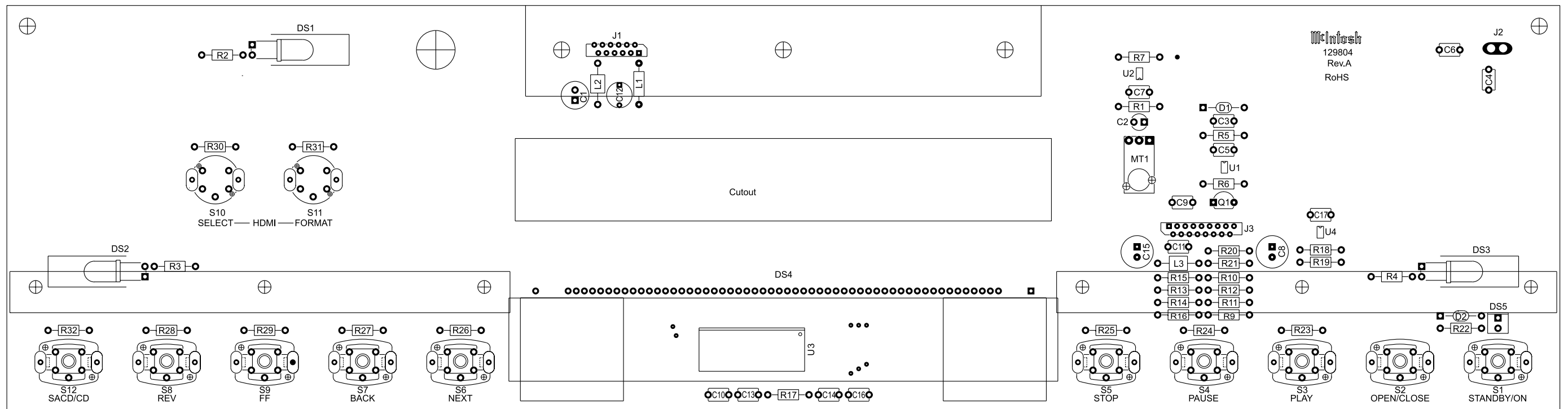


! WARNING Parts located in the shaded area have critical characteristics. Use only replacement parts recommended by the manufacturer.

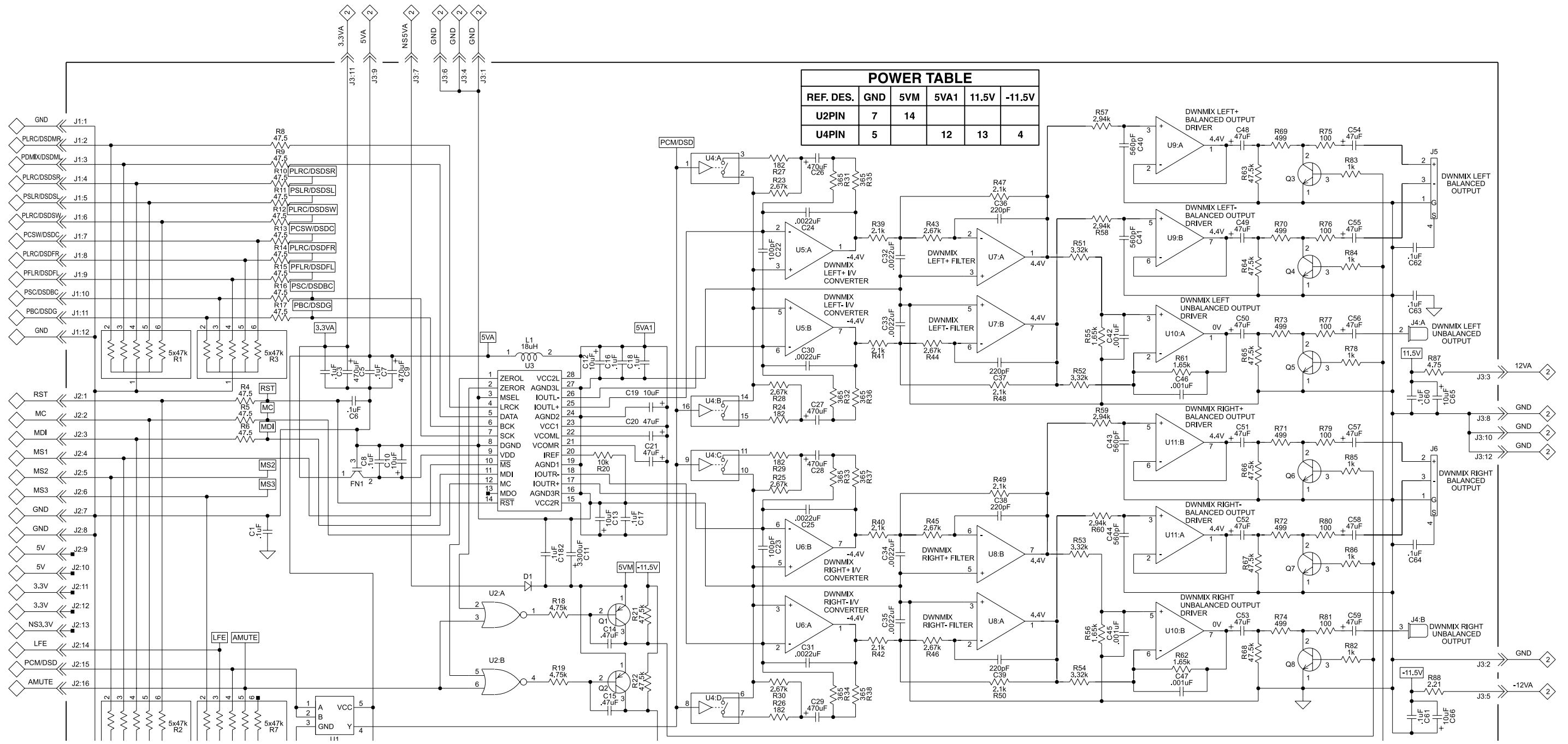
4 DISPLAY SCH 750615



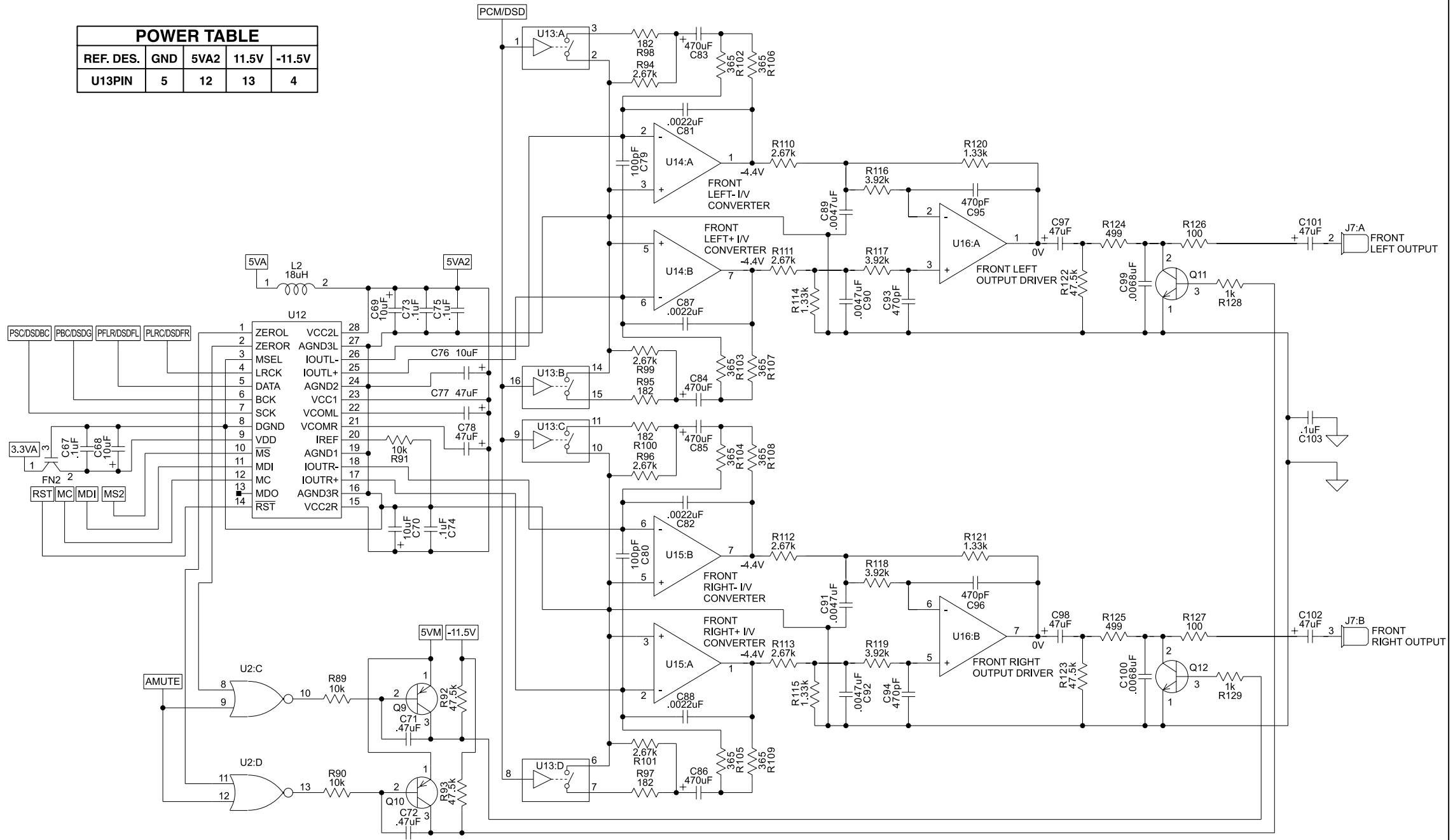
4 *DISPLAY* PCB 750615



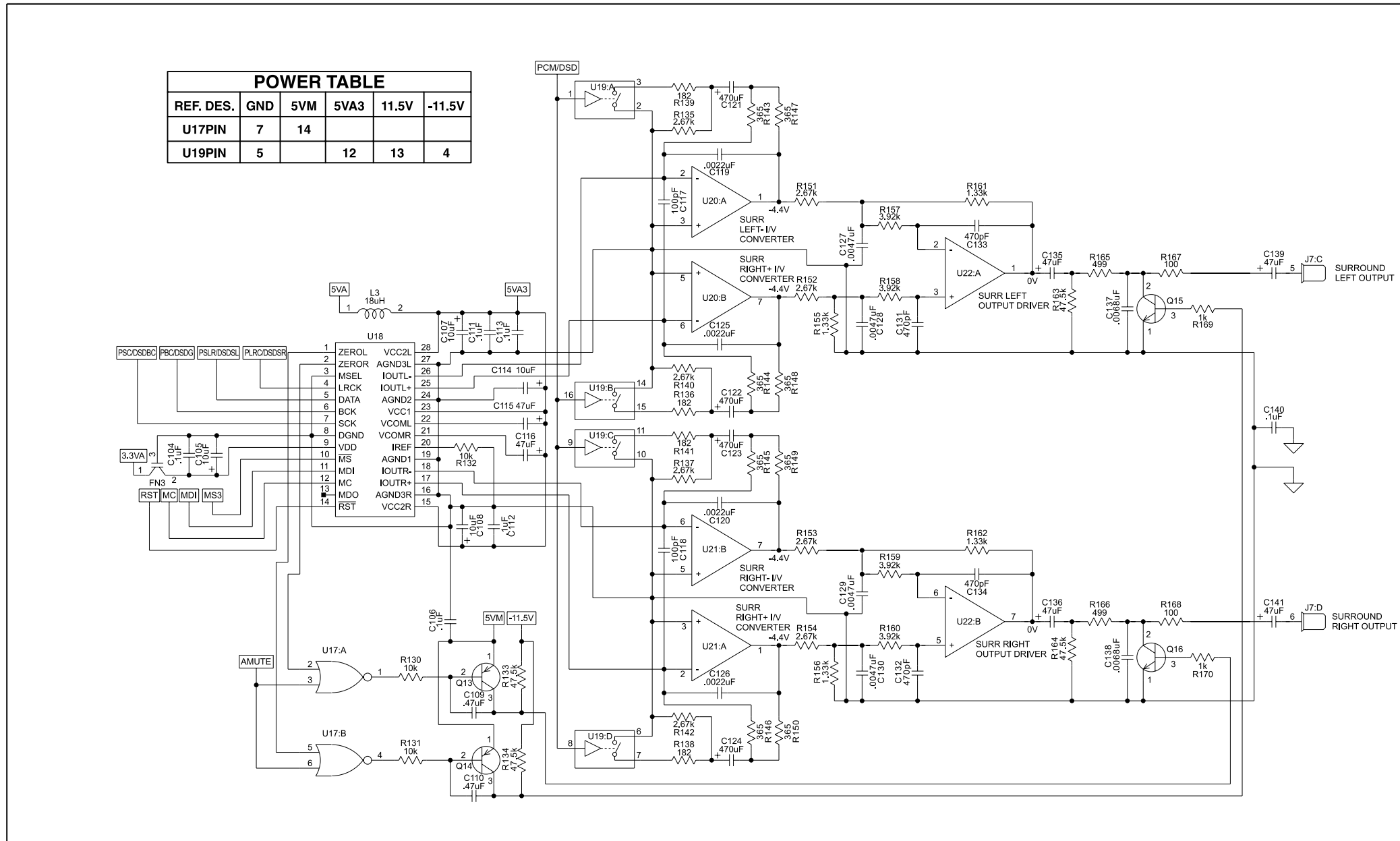
5 AUDIO SCH 1 of 4 750616

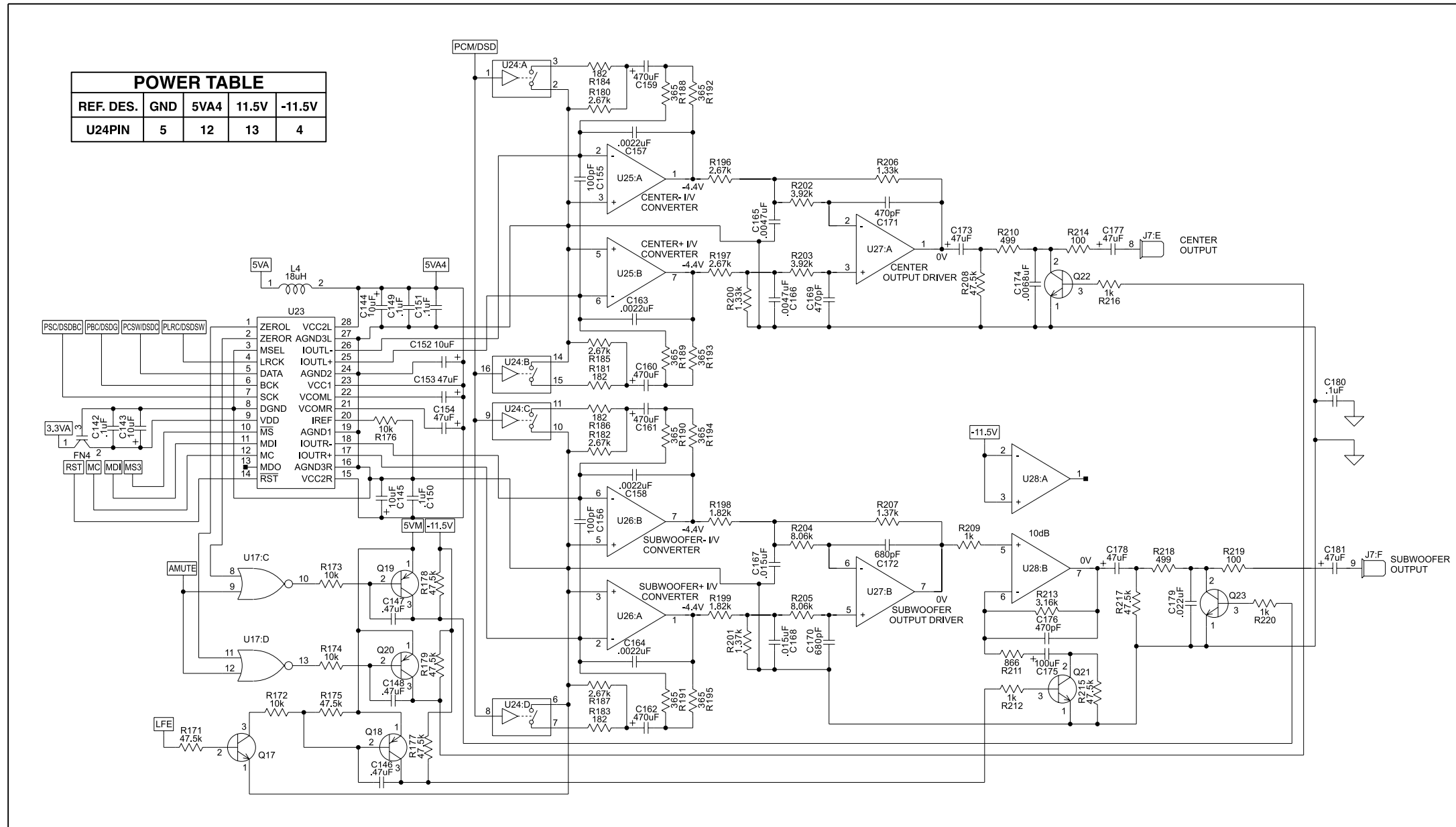


POWER TABLE				
REF. DES.	GND	5VA2	11.5V	-11.5V
U13PIN	5	12	13	4

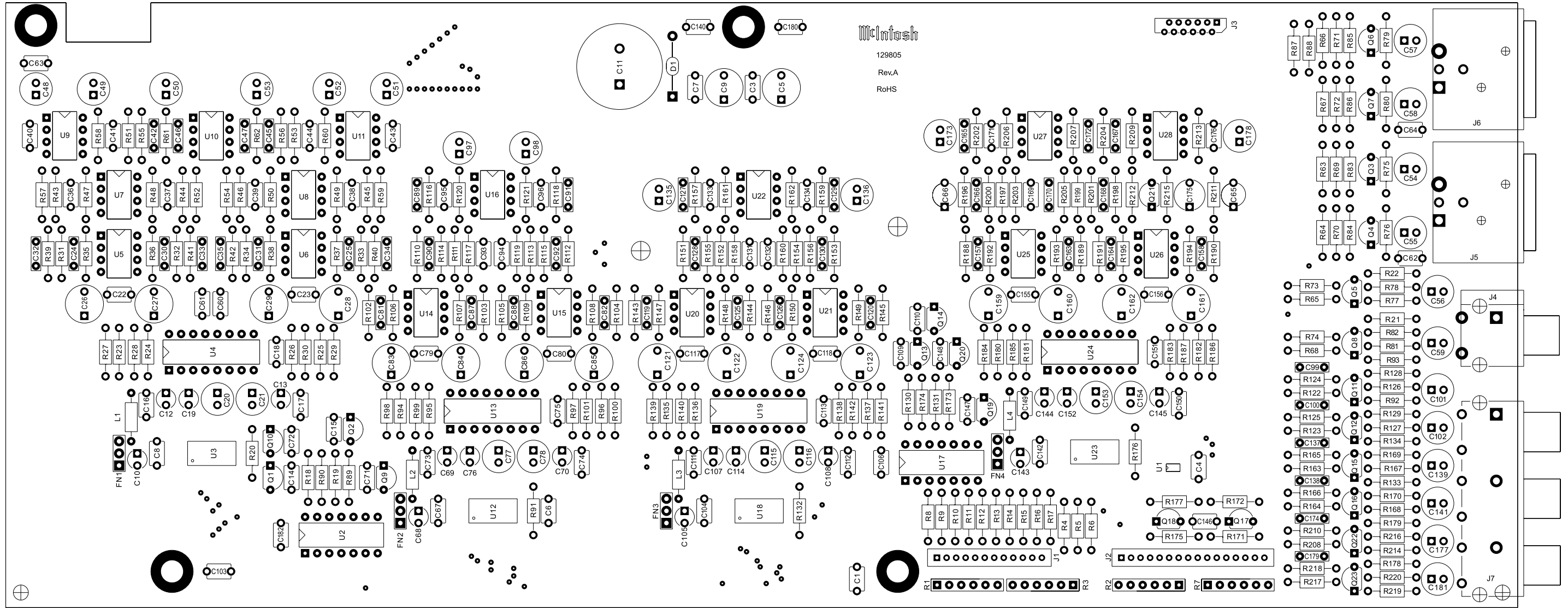


POWER TABLE					
REF. DES.	GND	5VM	5VA3	11.5V	-11.5V
U17PIN	7	14			
U19PIN	5		12	13	4





5 AUDIO PCB 750616



NOTES

PARTS LIST

1 INTERCONNECT

Ref. No. Description
?????

Part No.

2 POWER PCB 750613

Ref. No.	Description	Part No.
	HEATSINK	018862
C1	CAP MONO .1UF 50V 20% Z5U	061346
C2	CAP ELECT 47UF 35V	066446
C3	CAP MONO .1UF 50V 20% Z5U	061346
C4	CAP MONO .1UF 50V 20% Z5U	061346
C5	CAP MONO .1UF 50V 20% Z5U	061346
C6	CAP MONO .1UF 50V 20% Z5U	061346
C7	CAP MONO .1UF 50V 20% Z5U	061346
C8	CAP MONO .1UF 50V 20% Z5U	061346
C9	CAP MONO .1UF 50V 20% Z5U	061346
C10	CAP MONO .1UF 50V 20% Z5U	061346
C11	CAP MONO .01UF 50V 20% X7R	061345
C12	CAP MONO .1UF 50V 20% Z5U	061346
C13	CAP MONO .1UF 50V 20% Z5U	061346
C14	CAP MONO .1UF 50V 20% Z5U	061346
C15	CAP ELECT 47UF 35V	066446
C16	CAP MONO 100PF 100V 10% NPO	061341
C17	CAP ELECT 47UF 35V	066446
C18	CAP ELECT 47UF 35V	066446
C19	CAP ELECT 220UF 25V	066507
C20	CAP ELECT 220UF 25V	066507
C21	CAP ELECT 220UF 50V 20%	066254
C22	CAP MONO .1UF 50V 20% Z5U	061346
C23	CAP MONO .1UF 50V 20% Z5U	061346
C24	CAP ELECT 3300UF 35V	066509
C25	CAP ELECT 3300UF 35V	066509
C26	CAP MONO .1UF 50V 20% Z5U	061346
C27	CAP MPF 0.033UF 100V 10%	064427
C28	CAP ELECT 220UF 50V 20%	066254
C29	CAP ELECT 47UF 35V	066446
C30	CAP MONO .1UF 50V 20% Z5U	061346
C31	CAP MONO 1000PF 50V 10% NPO	061344
C32	CAP MONO .1UF 50V 20% Z5U	061346
C33	CAP MPF 1UF 5% 63VDC	064337
C34	CAP MONO .1UF 50V 20% Z5U	061346
C35	CAP DISC MONO .47UF 50V	061320
C36	CAP MONO 1000PF 50V 10% NPO	061344
C37	CAP MONO .1UF 50V 20% Z5U	061346
C38	CAP MONO .1UF 50V 20% Z5U	061346
C39	CAP MONO .1UF 50V 20% Z5U	061346
C40	CAP DISC MONO .47UF 50V	061320
C41	CAP ELECT 100UF 25V	066573
C42	CAP MONO .1UF 50V 20% Z5U	061346
C43	CAP ELECT 10UF 50V	066445
C44	CAP MONO 1000PF 50V 10% NPO	061344
C45	CAP ELECT 2.2UF 50V	066511
C46	CAP MPF 1UF 5% 63VDC	064337
C47	CAP MPF 0.033UF 100V 10%	064427
C48	CAP MPF 0.033UF 100V 10%	064427
C50	CAP ELECT 3300UF 35V	066509
C52	CAP MONO .1UF 50V 20% Z5U	061346
C53	CAP MONO .1UF 50V 20% Z5U	061346
C54	CAP MONO .1UF 50V 20% Z5U	061346
C55	CAP MONO .1UF 50V 20% Z5U	061346
C57	CAP MONO .1UF 50V 20% Z5U	061346
C58	CAP MONO .1UF 50V 20% Z5U	061346

Ref. No.	Description	Part No.
C59	CAP MONO .1UF 50V 20% Z5U	061346
C60	CAP ELECT 100UF 25V	066573
C61	CAP MONO .1UF 50V 20% Z5U	061346
C62	CAP MONO 100PF 100V 10% NPO	061341
C63	CAP MONO 100PF 100V 10% NPO	061341
C64	CAP MONO 100PF 100V 10% NPO	061341
C65	CAP ELECT 470UF 16V	066508
C66	CAP ELECT 470UF 16V	066508
C67	CAP ELECT 470UF 16V	066508
C68	CAP ELECT 220UF 25V	066507
C69	CAP ELECT 100UF 25V	066573
C70	CAP ELECT 470UF 16V	066508
C71	CAP ELECT 470UF 16V	066508
C72	CAP ELECT 1UF 50V	066510
C49	CAP ELECT 22000UF 16V	066579
C51	ELECT CAP 68000 6.3V	066587
C56	ELECT CAP 68000 6.3V	066592
D1	DIODE SILICON	070174
D2	DIODE SILICON	070174
D3	DIODE SILICON	070174
D4	DIODE SILICON	070174
D5	DIODE SILICON	070174
D6	DIODE ZENER 33V 5% 1/2W	070182
D7	DIODE ZENER 6.2V 5% 500MW	070184
D8	DIODE SIL 400 PIV @ 1.5A	070031
D9	DIODE SIL 400 PIV @ 1.5A	070031
D10	DIODE SIL 400 PIV @ 1.5A	070031
D11	DIODE SIL 400 PIV @ 1.5A	070031
D12	DIODE SIL 400 PIV @ 1.5A	070031
D13	DIODE SIL 400 PIV @ 1.5A	070031
D14	DIODE SILICON	070174
D15	DIODE SILICON	070174
D16	RECTIFIER SCHOTTKY 5A 100V	070171
D17	RECTIFIER SCHOTTKY 5A 100V	070171
D18	DIODE SCHOTTKY 10A 45V	070194
D19	DIODE SCHOTTKY 10A 45V	070194
D20	RECTIFIER SCHOTTKY 5A 100V	070171
D21	RECTIFIER SCHOTTKY 5A 100V	070171
D22	DIODE SCHOTTKY 10A 45V	070194
D23	DIODE SCHOTTKY 10A 45V	070194
D24	DIODE SILICON	070174
F1	FUSE 6.3V 250V SLO-BLO IEC	089127
(F1)	HOLDER FUSE 5X20MM PCB MOUNT	178159
F2	FUSE 6.3V 250V SLO-BLO IEC	089127
(F2)	HOLDER FUSE 5X20MM PCB MOUNT	178159
F3	FUSE 2A 250V SLO-BLO 5X20 IEC	089123
(F3)	HOLDER FUSE 5X20MM PCB MOUNT	178159
F4	FUSE 2A 250V SLO-BLO 5X20 IEC	089123
(F4)	HOLDER FUSE 5X20MM PCB MOUNT	178159
FN1	FILTER EMI	180057
FN2	FILTER EMI	180057
FN3	FILTER EMI	180057
FN4	FILTER EMI	180057
	WASHER SHLDR #10 BLK NYLN INS	104101
HS1	HEATSINK TO-220	080021
HS2	HEATSINK TO-220	080021
HS3	HEATSINK TO-220	080021
HS4	HEATSINK TO-220	080021
	INSULATOR ISOSTRATE TO 220	084133

PARTS LIST (Cont'd.)

POWER PCB 750613 (Cont'd.)

Ref. No.	Description	Part No.	Ref. No.	Description	Part No.
J1	HEADER SHROUDED 13 PIN 2MM	117956	R38	RES MF 100K 1% 1/4W	144528
J2	HEADER 7 PIN SHROUDED	117910	R39	RES MF 475 OHM 1% 1/4W	144509
J3	JACK HEADPHONE STEREO 1/8IN	117945	R40	RES MF 475 OHM 1% 1/4W	144509
J4	JACK HEADPHONE STEREO 1/8IN	117945	R41	RES MF 15 OHM 1% 1/2W	144555
J5	JACK HEADPHONE STEREO 1/8IN	117945	R42	RES MF 4.75K 1% 1/4W	144520
J6	JACK HEADPHONE STEREO 1/8IN	117945	R43	RES MF 1.5K 1% 1/4W	144539
J7	CONN 9 PIN SUB D	117902	R44	RES MF 475 OHM 1% 1/4W	144509
J8	CONN 12 PIN FFC	117907	R45	RES MF 100K 1% 1/4W	144528
J9	CONN 12 PIN FFC	117907	R46	RES MF 47.5K 1% 1/4W	144526
J10	HEADER MTA-156 5 PIN	117964	R47	RES MF 47.5 OHM 1% 1/4W	144642
J11	HEADER LOCKING 5 PIN	117957	R48	RES MF 4.75M 1% 1/4W	144608
J12	HEADER MTA-156 6 PIN	117966	R49	RES MF 61.9K 1% 1/4W	144596
K1	RELAY 5V DPST	087074	R50	RES MF 56.2K 1% 1/4W	144618
K2	RELAY REED FORM 1A 5V 500 OHMS	087050	R51	RES MF 54.9K 1% 1/4W	144544
L1	BEADS FERRITE LEADED	076023	R52	RES MF 4.75K 1% 1/4W	144520
L2	BEADS FERRITE LEADED	076023	R53	RES MF 187K 1% 1/4W	144621
L3	BEADS FERRITE LEADED	076023	R54	RES MF 10K 1% 1/4W	144504
L4	BEADS FERRITE LEADED	076023	R55	RES MF 95.3K 1% 1/4W	144538
L5	BEADS FERRITE LEADED	076023	R56	RES MF 475K 1% 1/4W	144604
L6	BEADS FERRITE LEADED	076023	R57	RES MF 806 OHM 1% 1/4W	144512
Q1	COUPLER OPTICAL SCHMITT OUTPUT	131030	R58	RES MF 100 OHM 1% 1/4W	144568
Q2	TRANSISTOR PNP SILICON	132304	R59	RES MF 221 OHM 1% 1/4W	144559
Q3	TRANSISTOR PNP 2SB892	132263	R60	RES MF 3.32K 1% 1/4W	144518
Q4	TRANSISTOR PNP 2SB892	132263	R61	RES MF 1.82K 1% 1/4W	144582
R1	RES MF 47.5K 1% 1/4W	144526		DECAL FUSE T2 AL 250V	166261
R2	RES MF 47.5K 1% 1/4W	144526		DECAL FUSE T6.3 AL 250V	166262
R3	RES MF 47.5K 1% 1/4W	144526	U1	QUAD 2 TO 1 DATA SELECTOR	133650
R4	RES MF 47.5 OHM 1% 1/4W	144642	U2	IC RS232 DRIVER LINE	133561
R5	RES MF 47.5 OHM 1% 1/4W	144642	U4	IC AND 2 INPUT X 4	133577
R6	RES MF 1.5K 1% 1/4W	144539	U5	IC MONOSTB MULTIVIB X 2	133593
R7	RES MF 3.32K 1% 1/4W	144518	U6	IC REGULATOR 12V	133590
R8	RES MF 47.5 OHM 1% 1/4W	144642	U7	IC REGULATOR -12V	133574
R9	RES MF 22.1K 1% 1/4W	144564	U8	PROGRAMMED VERISON OF 133495	133652
R10	RES MF 22.1K 1% 1/4W	144564	(U8)	IC SOCKET 28 PIN PLCC	178186
R11	RES MF 562 OHM 1% 1/4W	144622	U11	IC TIMER	133612
R12	RES MF 1K 1% 1/4W	144513	U15	5V LOW DROP REGULATOR	133452
R13	RES MF 1.82K 1% 1/4W	144582	U16	IC REGULATOR 1.25A LOW DROPOUT	133631
R14	RES MF 47.5K 1% 1/4W	144526	U17	REGULATOR LOW DROP 3.3V 1.5A	133645
R15	RES MF 475K 1% 1/4W	144604	U18	IC REGULATOR 1.25A LOW DROPOUT	133631
R16	RES MF 1.82K 1% 1/4W	144582	U19	IC REGULATOR 1.25A LOW DROPOUT	133631
R17	RES MF 10K 1% 1/4W	144504	U20	REGULATOR LOW DROP 2.5V 1.5A	133644
R18	RES MF 47.5K 1% 1/4W	144526	U21	REGULATOR LOW DROP 1.2V 1.5A	133643
R19	RES MF 3.32K 1% 1/4W	144518	Y1	RESONATOR CERAMIC 6.0MHZ W/CAP	180072
R20	RES MF 10K 1% 1/4W	144504		SCR MS 4-40 X 1/4 PH PN BLK	400121
R21	RES MF 1.82K 1% 1/4W	144582		SCR MS 4-40 X 1/2 PH PN	400164
R22	RES MF 3.32K 1% 1/4W	144518		SCR MS 6-32X1/4 SEMS PH PN CLR	400250
R23	RES CF 0 OHM 5% 1/4W	141554		NUT KEP 4-40 CLR	402001
R24	RES MF 10K 1% 1/4W	144504		ASSY INSERTION PCB POWER	702425
R26	RES MF 10K 1% 1/4W	144504		ASSY PCB POWER SM PARTS	710005
R27	RES POLYSWITCH RXE110	144671			
R28	RES POLYSWITCH RXE110	144671			
R29	RES MF 5.62 OHM 1% 1/4W	144556			
R30	RES MF 10K 1% 1/4W	144504			
R31	RES CF 0 OHM 5% 1/4W	141554			
R33	RES MF 22.1K 1% 1/4W	144564			
R34	RES MF 47.5K 1% 1/4W	144526			
R35	RES MF 47.5K 1% 1/4W	144526			
R36	RES MF 1.5K 1% 1/4W	144539			
R37	RES MF 4.75M 1% 1/4W	144608			

3

PRIMARY PCB 750614

J1	CONN PCB MOUNT POWER RED	117719
J2	CONN PCB MOUNT POWER RED	117719
J3	CONN PCB MOUNT POWER RED	117719
J4	CONN PCB MOUNT POWER RED	117719
J5	BLADE FASTON W/FEET	117708
J6	BLADE FASTON W/FEET	117708
(F1)	HOLDER FUSE 5X20MM PCB MOUNT	178159
	PC BD PRIMARY	129803

PARTS LIST (Cont'd.)

4 DISPLAY PCB 750615

Ref. No.	Description	Part No.
C1	CAP ELECT 47UF 16V	066380
C2	CAP ELECT 10UF 16V	066580
C3	CAP MONO 1000PF 50V 10% NPO	061344
C4	CAP MONO .1UF 50V 20% Z5U	061346
C5	CAP MONO .1UF 50V 20% Z5U	061346
C6	CAP MONO .1UF 50V 20% Z5U	061346
C7	CAP MONO .1UF 50V 20% Z5U	061346
C8	CAP ELECT 100UF 10V 5MM	066576
C9	CAP MONO 1000PF 50V 10% NPO	061344
C10	CAP MONO .1UF 50V 20% Z5U	061346
C11	CAP MONO 1000PF 50V 10% NPO	061344
C12	CAP ELECT 10UF 50V LOW ESR	066437
C13	CAP MONO 39PF 5% 200V	061363
C14	CAP MONO .1UF 50V 20% Z5U	061346
C15	CAP ELECT 100UF 10V 5MM	066576
C16	CAP MONO .1UF 50V 20% Z5U	061346
C17	CAP MONO .1UF 50V 20% Z5U	061346
D1	DIODE SILICON	070174
D2	DIODE SILICON	070174
DS5	LED SQUARE RED	058109
DS1	LED GRN 5MM HI-INTENSITY	058165
(DS1)	SPACER LED	112108
DS2	LED GRN 5MM HI-INTENSITY	058165
(DS2)	SPACER LED	112108
DS3	LED GRN 5MM HI-INTENSITY	058165
(DS3)	SPACER LED	112108
DS4	VACUUM FLUORESCENT DISPLAY	310355
(DS5)	LED SPACER .220 LENGTH	163001
J1	CONN 12 PIN FFC	117907
J2	BLADE FASTON W/FEET	117708
J3	CONN 17 PIN FFC	117917
L1	CHOKE 18UH 5%-10%	122394
L2	BEADS FERRITE LEADED	076023
L3	BEADS FERRITE LEADED	076023
	TAPE FOAM 3/16 THK 1 X 1 WHITE	094453
MT1	SENSOR IR 38KHZ	121046
Q1	TRANSISTOR NPN SILICON	132317
R1	RES MF 10 OHM 1% 1/4W	144553
R2	RES MF 100 OHM 1% 1/4W	144568
R3	RES MF 100 OHM 1% 1/4W	144568
R4	RES MF 100 OHM 1% 1/4W	144568
R5	RES MF 47.5K 1% 1/4W	144526
R6	RES MF 47.5K 1% 1/4W	144526
R7	RES MF 1.82K 1% 1/4W	144582
R9	RES MF 47.5K 1% 1/4W	144526
R10	RES MF 47.5K 1% 1/4W	144526
R11	RES MF 47.5K 1% 1/4W	144526
R12	RES MF 47.5K 1% 1/4W	144526
R13	RES MF 332 OHM 1% 1/4W	144646
R14	RES MF 332 OHM 1% 1/4W	144646
R15	RES MF 332 OHM 1% 1/4W	144646
R16	RES MF 1K 1% 1/4W	144513
R17	RES MF 3.32K 1% 1/4W	144518
R18	RES MF 47.5K 1% 1/4W	144526
R19	RES MF 47.5K 1% 1/4W	144526
R20	RES MF 1K 1% 1/4W	144513
R21	RES MF 1K 1% 1/4W	144513
R22	RES MF 182 OHM 1% 1/4W	144579
R23	RES MF 150 OHM 1% 1/4W	144535

Ref. No.	Description	Part No.
R24	MF RESISTOR 619 1/4W 1%	144726
R25	RES MF 825 OHM 1% 1/4W	144719
R26	RES MF 392 OHM 1% 1/4W	144718
R27	RES MF 681 OHM 1% 1/4W	144567
R28	RES MF 681 OHM 1% 1/4W	144567
R29	RES MF 1.33K 1% 1/4W	144619
R30	RES MF 1.33K 1% 1/4W	144619
R31	RES MF 3.92K 1% 1/4W	144569
R32	RES MF 3.92K 1% 1/4W	144569
S1	SWITCH TACT	150058
S2	SWITCH TACT	150058
S3	SWITCH TACT	150058
S4	SWITCH TACT	150058
S5	SWITCH TACT	150058
S6	SWITCH TACT	150058
S7	SWITCH TACT	150058
S8	SWITCH TACT	150058
S9	SWITCH TACT	150058
S10	SWITCH TACT	150058
S11	SWITCH TACT	150058
S12	SWITCH TACT	150058
	ASSY INSERTION PCB DISPLAY	702426
	ASSY PCB DISPLAY SM PARTS	710006

5 AUDIO PCB 750616

C1	CAP MONO .1UF 50V 20% Z5U	061346
C3	CAP MONO .1UF 50V 20% Z5U	061346
C4	CAP MONO .1UF 50V 20% Z5U	061346
C5	CAP ELECT 470UF 16V	066508
C6	CAP MONO .1UF 50V 20% Z5U	061346
C7	CAP MONO .1UF 50V 20% Z5U	061346
C8	CAP MONO .1UF 50V 20% Z5U	061346
C9	CAP ELECT 470UF 16V	066508
C10	CAP ELECT 10UF 16V	066580
C11	CAP ELECT 3300UF 35V	066509
C12	CAP ELECT 10UF 16V	066580
C13	CAP ELECT 10UF 16V	066580
C14	CAP DISC MONO .47UF 50V	061320
C15	CAP DISC MONO .47UF 50V	061320
C16	CAP MONO .1UF 50V 20% Z5U	061346
C17	CAP MONO .1UF 50V 20% Z5U	061346
C18	CAP MONO .1UF 50V 20% Z5U	061346
C19	CAP ELECT 10UF 16V	066580
C20	CAP ELECT 47UF 16V	066380
C21	CAP ELECT 47UF 16V	066380
C22	CAP MONO 100PF 100V 10% NPO	061341
C23	CAP MONO 100PF 100V 10% NPO	061341
C24	CAP MPF 0.0022UF 5% 63VDC	064454
C25	CAP MPF 0.0022UF 5% 63VDC	064454
C26	CAP ELECT 470UF 16V	066508
C27	CAP ELECT 470UF 16V	066508
C28	CAP ELECT 470UF 16V	066508
C29	CAP ELECT 470UF 16V	066508
C30	CAP MPF 0.0022UF 5% 63VDC	064454
C31	CAP MPF 0.0022UF 5% 63VDC	064454
C32	CAP MPF 0.0022UF 5% 63VDC	064454
C33	CAP MPF 0.0022UF 5% 63VDC	064454
C34	CAP MPF 0.0022UF 5% 63VDC	064454

PARTS LIST (Cont'd.)

AUDIO PCB 750616 (Cont'd.)

Ref. No.	Description	Part No.	Ref. No.	Description	Part No.
C35	CAP MPF 0.0022UF 5% 63VDC	064454	C94	CAP MONO 470PF 100V 10% NPO	061343
C36	CAP MONO 220PF 200V 10% NPO	061342	C95	CAP MONO 470PF 100V 10% NPO	061343
C37	CAP MONO 220PF 200V 10% NPO	061342	C96	CAP MONO 470PF 100V 10% NPO	061343
C38	CAP MONO 220PF 200V 10% NPO	061342	C97	CAP ELECT 47UF 16V	066380
C39	CAP MONO 220PF 200V 10% NPO	061342	C98	CAP ELECT 47UF 16V	066380
C40	CAP MONO 560PF 200V 5% NPO	061348	C99	CAP MPF 0.0068UF 5% 63VDC	064310
C41	CAP MONO 560PF 200V 5% NPO	061348	C100	CAP MPF 0.0068UF 5% 63VDC	064310
C42	CAP PF 0.001UF 5% 63VDC	064453	C101	CAP ELECT 47UF 16V	066380
C43	CAP MONO 560PF 200V 5% NPO	061348	C102	CAP ELECT 47UF 16V	066380
C44	CAP MONO 560PF 200V 5% NPO	061348	C103	CAP MONO .1UF 50V 20% Z5U	061346
C45	CAP PF 0.001UF 5% 63VDC	064453	C104	CAP MONO .1UF 50V 20% Z5U	061346
C46	CAP PF 0.001UF 5% 63VDC	064453	C105	CAP ELECT 10UF 16V	066580
C47	CAP PF 0.001UF 5% 63VDC	064453	C106	CAP MONO .1UF 50V 20% Z5U	061346
C48	CAP ELECT 47UF 16V	066380	C107	CAP ELECT 10UF 16V	066580
C49	CAP ELECT 47UF 16V	066380	C108	CAP ELECT 10UF 16V	066580
C50	CAP ELECT 47UF 16V	066380	C109	CAP DISC MONO .47UF 50V	061320
C51	CAP ELECT 47UF 16V	066380	C110	CAP DISC MONO .47UF 50V	061320
C52	CAP ELECT 47UF 16V	066380	C111	CAP MONO .1UF 50V 20% Z5U	061346
C53	CAP ELECT 47UF 16V	066380	C112	CAP MONO .1UF 50V 20% Z5U	061346
C54	CAP ELECT 47UF 16V	066380	C113	CAP MONO .1UF 50V 20% Z5U	061346
C55	CAP ELECT 47UF 16V	066380	C114	CAP ELECT 10UF 16V	066580
C56	CAP ELECT 47UF 16V	066380	C115	CAP ELECT 47UF 16V	066380
C57	CAP ELECT 47UF 16V	066380	C116	CAP ELECT 47UF 16V	066380
C58	CAP ELECT 47UF 16V	066380	C117	CAP MONO 100PF 100V 10% NPO	061341
C59	CAP ELECT 47UF 16V	066380	C118	CAP MONO 100PF 100V 10% NPO	061341
C60	CAP MONO .1UF 50V 20% Z5U	061346	C119	CAP MPF 0.0022UF 5% 63VDC	064454
C61	CAP MONO .1UF 50V 20% Z5U	061346	C120	CAP MPF 0.0022UF 5% 63VDC	064454
C62	CAP MONO .1UF 50V 20% Z5U	061346	C121	CAP ELECT 470UF 16V	066508
C63	CAP MONO .1UF 50V 20% Z5U	061346	C122	CAP ELECT 470UF 16V	066508
C64	CAP MONO .1UF 50V 20% Z5U	061346	C123	CAP ELECT 470UF 16V	066508
C65	CAP ELECT 10UF 50V	066445	C124	CAP ELECT 470UF 16V	066508
C66	CAP ELECT 10UF 50V	066445	C125	CAP MPF 0.0022UF 5% 63VDC	064454
C67	CAP MONO .1UF 50V 20% Z5U	061346	C126	CAP MPF 0.0022UF 5% 63VDC	064454
C68	CAP ELECT 10UF 16V	066580	C127	CAP MPF 0.0047UF 5% 63VDC	064308
C69	CAP ELECT 10UF 16V	066580	C128	CAP MPF 0.0047UF 5% 63VDC	064308
C70	CAP ELECT 10UF 16V	066580	C129	CAP MPF 0.0047UF 5% 63VDC	064308
C71	CAP DISC MONO .47UF 50V	061320	C130	CAP MPF 0.0047UF 5% 63VDC	064308
C72	CAP DISC MONO .47UF 50V	061320	C131	CAP MONO 470PF 100V 10% NPO	061343
C73	CAP MONO .1UF 50V 20% Z5U	061346	C132	CAP MONO 470PF 100V 10% NPO	061343
C74	CAP MONO .1UF 50V 20% Z5U	061346	C133	CAP MONO 470PF 100V 10% NPO	061343
C75	CAP MONO .1UF 50V 20% Z5U	061346	C134	CAP MONO 470PF 100V 10% NPO	061343
C76	CAP ELECT 10UF 16V	066580	C135	CAP ELECT 47UF 16V	066380
C77	CAP ELECT 47UF 16V	066380	C136	CAP ELECT 47UF 16V	066380
C78	CAP ELECT 47UF 16V	066380	C137	CAP MPF 0.0068UF 5% 63VDC	064310
C79	CAP MONO 100PF 100V 10% NPO	061341	C138	CAP MPF 0.0068UF 5% 63VDC	064310
C80	CAP MONO 100PF 100V 10% NPO	061341	C139	CAP ELECT 47UF 16V	066380
C81	CAP MPF 0.0022UF 5% 63VDC	064454	C140	CAP MONO .1UF 50V 20% Z5U	061346
C82	CAP MPF 0.0022UF 5% 63VDC	064454	C141	CAP ELECT 47UF 16V	066380
C83	CAP ELECT 470UF 16V	066508	C142	CAP MONO .1UF 50V 20% Z5U	061346
C84	CAP ELECT 470UF 16V	066508	C143	CAP ELECT 10UF 16V	066580
C85	CAP ELECT 470UF 16V	066508	C144	CAP ELECT 10UF 16V	066580
C86	CAP ELECT 470UF 16V	066508	C145	CAP ELECT 10UF 16V	066580
C87	CAP MPF 0.0022UF 5% 63VDC	064454	C146	CAP DISC MONO .47UF 50V	061320
C88	CAP MPF 0.0022UF 5% 63VDC	064454	C147	CAP DISC MONO .47UF 50V	061320
C89	CAP MPF 0.0047UF 5% 63VDC	064308	C148	CAP DISC MONO .47UF 50V	061320
C90	CAP MPF 0.0047UF 5% 63VDC	064308	C149	CAP MONO .1UF 50V 20% Z5U	061346
C91	CAP MPF 0.0047UF 5% 63VDC	064308	C150	CAP MONO .1UF 50V 20% Z5U	061346
C92	CAP MPF 0.0047UF 5% 63VDC	064308	C151	CAP MONO .1UF 50V 20% Z5U	061346
C93	CAP MONO 470PF 100V 10% NPO	061343	C152	CAP ELECT 10UF 16V	066580

PARTS LIST (Cont'd.)

AUDIO PCB 750616 (Cont'd.)

Ref. No.	Description	Part No.	Ref. No.	Description	Part No.
C153	CAP ELECT 47UF 16V	066380	Q14	TRANSISTOR PNP SILICON	132304
C154	CAP ELECT 47UF 16V	066380	Q15	TRANSISTOR SI NPN 25V	132257
C155	CAP MONO 100PF 100V 10% NPO	061341	Q16	TRANSISTOR SI NPN 25V	132257
C156	CAP MONO 100PF 100V 10% NPO	061341	Q17	TRANSISTOR NPN SILICON	132317
C157	CAP MPF 0.0022UF 5% 63VDC	064454	Q18	TRANSISTOR PNP SILICON	132304
C158	CAP MPF 0.0022UF 5% 63VDC	064454	Q19	TRANSISTOR PNP SILICON	132304
C159	CAP ELECT 470UF 16V	066508	Q20	TRANSISTOR PNP SILICON	132304
C160	CAP ELECT 470UF 16V	066508	Q21	TRANSISTOR SI NPN 25V	132257
C161	CAP ELECT 470UF 16V	066508	Q22	TRANSISTOR SI NPN 25V	132257
C162	CAP ELECT 470UF 16V	066508	Q23	TRANSISTOR SI NPN 25V	132257
C163	CAP MPF 0.0022UF 5% 63VDC	064454	R1	RES NETWORK 5 X 47K BUSSED	144499
C164	CAP MPF 0.0022UF 5% 63VDC	064454	R2	RES NETWORK 5 X 47K BUSSED	144499
C165	CAP MPF 0.0047UF 5% 63VDC	064308	R3	RES NETWORK 5 X 47K BUSSED	144499
C166	CAP MPF 0.0047UF 5% 63VDC	064308	R4	RES MF 47.5 OHM 1% 1/4W	144642
C167	CAP MPF 0.015UF 5% 63VDC	064314	R5	RES MF 47.5 OHM 1% 1/4W	144642
C168	CAP MPF 0.015UF 5% 63VDC	064314	R6	RES MF 47.5 OHM 1% 1/4W	144642
C169	CAP MONO 470PF 100V 10% NPO	061343	R7	RES NETWORK 5 X 47K BUSSED	144499
C170	CAP PF 680PF 5% 160VDC	064298	R8	RES MF 47.5 OHM 1% 1/4W	144642
C171	CAP MONO 470PF 100V 10% NPO	061343	R9	RES MF 47.5 OHM 1% 1/4W	144642
C172	CAP PF 680PF 5% 160VDC	064298	R10	RES MF 47.5 OHM 1% 1/4W	144642
C173	CAP ELECT 47UF 16V	066380	R11	RES MF 47.5 OHM 1% 1/4W	144642
C174	CAP MPF 0.0068UF 5% 63VDC	064310	R12	RES MF 47.5 OHM 1% 1/4W	144642
C175	CAP ELECT 100UF 25V	066573	R13	RES MF 47.5 OHM 1% 1/4W	144642
C176	CAP MONO 470PF 100V 10% NPO	061343	R14	RES MF 47.5 OHM 1% 1/4W	144642
C177	CAP ELECT 47UF 16V	066380	R15	RES MF 47.5 OHM 1% 1/4W	144642
C178	CAP ELECT 47UF 16V	066380	R16	RES MF 47.5 OHM 1% 1/4W	144642
C179	CAP MPF 0.022UF 5% 63VDC	064316	R17	RES MF 47.5 OHM 1% 1/4W	144642
C180	CAP MONO .1UF 50V 20% Z5U	061346	R18	RES MF 4.75K 1% 1/4W	144520
C181	CAP ELECT 47UF 16V	066380	R19	RES MF 4.75K 1% 1/4W	144520
C182	CAP MONO .1UF 50V 20% Z5U	061346	R20	RES MF 10K 1% 1/4W	144504
D1	DIODE SIL 400 PIV @ 1.5A	070031	R21	RES MF 47.5K 1% 1/4W	144526
FN1	FILTER EMI	180057	R22	RES MF 47.5K 1% 1/4W	144526
FN2	FILTER EMI	180057	R23	RES MF 2.67K 1% 1/4W	144534
FN3	FILTER EMI	180057	R24	RES MF 182 OHM 1% 1/4W	144579
FN4	FILTER EMI	180057	R25	RES MF 2.67K 1% 1/4W	144534
J1	CONNECTOR BOARD TO BOARD 12PIN	117960	R26	RES MF 182 OHM 1% 1/4W	144579
J2	CONNECTOR BOARD TO BOARD 16PIN	117961	R27	RES MF 182 OHM 1% 1/4W	144579
J3	CONN 12 PIN FFC	117907	R28	RES MF 2.67K 1% 1/4W	144534
J4	JACK RCA 1X2 WHT/RED 14MM	117788	R29	RES MF 182 OHM 1% 1/4W	144579
J5	RECEPTACLE XLR MALE	117686	R30	RES MF 2.67K 1% 1/4W	144534
J6	RECEPTACLE XLR MALE	117686	R31	RES MF 365 OHM 1% 1/4W	144505
J7	JACK RCA 3X2 WHT/RED 14MM	117790	R32	RES MF 365 OHM 1% 1/4W	144505
L1	CHOKE 18UH 5%-10%	122394	R33	RES MF 365 OHM 1% 1/4W	144505
L2	CHOKE 18UH 5%-10%	122394	R34	RES MF 365 OHM 1% 1/4W	144505
L3	CHOKE 18UH 5%-10%	122394	R35	RES MF 365 OHM 1% 1/4W	144505
L4	CHOKE 18UH 5%-10%	122394	R36	RES MF 365 OHM 1% 1/4W	144505
Q1	TRANSISTOR PNP SILICON	132304	R37	RES MF 365 OHM 1% 1/4W	144505
Q2	TRANSISTOR PNP SILICON	132304	R38	RES MF 365 OHM 1% 1/4W	144505
Q3	TRANSISTOR SI NPN 25V	132257	R39	RES MF 2.1K 1% 1/4W	144585
Q4	TRANSISTOR SI NPN 25V	132257	R40	RES MF 2.1K 1% 1/4W	144585
Q5	TRANSISTOR SI NPN 25V	132257	R41	RES MF 2.1K 1% 1/4W	144585
Q6	TRANSISTOR SI NPN 25V	132257	R42	RES MF 2.1K 1% 1/4W	144585
Q7	TRANSISTOR SI NPN 25V	132257	R43	RES MF 2.67K 1% 1/4W	144534
Q8	TRANSISTOR SI NPN 25V	132257	R44	RES MF 2.67K 1% 1/4W	144534
Q9	TRANSISTOR PNP SILICON	132304	R45	RES MF 2.67K 1% 1/4W	144534
Q10	TRANSISTOR PNP SILICON	132304	R46	RES MF 2.67K 1% 1/4W	144534
Q11	TRANSISTOR SI NPN 25V	132257	R47	RES MF 2.1K 1% 1/4W	144585
Q12	TRANSISTOR SI NPN 25V	132257	R48	RES MF 2.1K 1% 1/4W	144585
Q13	TRANSISTOR PNP SILICON	132304	R49	RES MF 2.1K 1% 1/4W	144585

PARTS LIST (Cont'd.)

AUDIO PCB 750616 (Cont'd.)

Ref. No.	Description	Part No.	Ref. No.	Description	Part No.
R50	RES MF 2.1K 1% 1/4W	144585	R109	RES MF 365 OHM 1% 1/4W	144505
R51	RES MF 3.32K 1% 1/4W	144518	R110	RES MF 2.67K 1% 1/4W	144534
R52	RES MF 3.32K 1% 1/4W	144518	R111	RES MF 2.67K 1% 1/4W	144534
R53	RES MF 3.32K 1% 1/4W	144518	R112	RES MF 2.67K 1% 1/4W	144534
R54	RES MF 3.32K 1% 1/4W	144518	R113	RES MF 2.67K 1% 1/4W	144534
R55	RES MF 1.65K 1% 1/4W	144516	R114	RES MF 1.33K 1% 1/4W	144619
R56	RES MF 1.65K 1% 1/4W	144516	R115	RES MF 1.33K 1% 1/4W	144619
R57	RES MF 2.94K 1% 1/4W	144667	R116	RES MF 3.92K 1% 1/4W	144569
R58	RES MF 2.94K 1% 1/4W	144667	R117	RES MF 3.92K 1% 1/4W	144569
R59	RES MF 2.94K 1% 1/4W	144667	R118	RES MF 3.92K 1% 1/4W	144569
R60	RES MF 2.94K 1% 1/4W	144667	R119	RES MF 3.92K 1% 1/4W	144569
R61	RES MF 1.65K 1% 1/4W	144516	R120	RES MF 1.33K 1% 1/4W	144619
R62	RES MF 1.65K 1% 1/4W	144516	R121	RES MF 1.33K 1% 1/4W	144619
R63	RES MF 47.5K 1% 1/4W	144526	R122	RES MF 47.5K 1% 1/4W	144526
R64	RES MF 47.5K 1% 1/4W	144526	R123	RES MF 47.5K 1% 1/4W	144526
R65	RES MF 47.5K 1% 1/4W	144526	R124	RES MF 499 OHM 1% 1/4W	144510
R66	RES MF 47.5K 1% 1/4W	144526	R125	RES MF 499 OHM 1% 1/4W	144510
R67	RES MF 47.5K 1% 1/4W	144526	R126	RES MF 100 OHM 1% 1/4W	144568
R68	RES MF 47.5K 1% 1/4W	144526	R127	RES MF 100 OHM 1% 1/4W	144568
R69	RES MF 499 OHM 1% 1/4W	144510	R128	RES MF 1K 1% 1/4W	144513
R70	RES MF 499 OHM 1% 1/4W	144510	R129	RES MF 1K 1% 1/4W	144513
R71	RES MF 499 OHM 1% 1/4W	144510	R130	RES MF 10K 1% 1/4W	144504
R72	RES MF 499 OHM 1% 1/4W	144510	R131	RES MF 10K 1% 1/4W	144504
R73	RES MF 499 OHM 1% 1/4W	144510	R132	RES MF 10K 1% 1/4W	144504
R74	RES MF 499 OHM 1% 1/4W	144510	R133	RES MF 47.5K 1% 1/4W	144526
R75	RES MF 100 OHM 1% 1/4W	144568	R134	RES MF 47.5K 1% 1/4W	144526
R76	RES MF 100 OHM 1% 1/4W	144568	R135	RES MF 2.67K 1% 1/4W	144534
R77	RES MF 100 OHM 1% 1/4W	144568	R136	RES MF 182 OHM 1% 1/4W	144579
R78	RES MF 1K 1% 1/4W	144513	R137	RES MF 2.67K 1% 1/4W	144534
R79	RES MF 100 OHM 1% 1/4W	144568	R138	RES MF 182 OHM 1% 1/4W	144579
R80	RES MF 100 OHM 1% 1/4W	144568	R139	RES MF 182 OHM 1% 1/4W	144579
R81	RES MF 100 OHM 1% 1/4W	144568	R140	RES MF 2.67K 1% 1/4W	144534
R82	RES MF 1K 1% 1/4W	144513	R141	RES MF 182 OHM 1% 1/4W	144579
R83	RES MF 1K 1% 1/4W	144513	R142	RES MF 2.67K 1% 1/4W	144534
R84	RES MF 1K 1% 1/4W	144513	R143	RES MF 365 OHM 1% 1/4W	144505
R85	RES MF 1K 1% 1/4W	144513	R144	RES MF 365 OHM 1% 1/4W	144505
R86	RES MF 1K 1% 1/4W	144513	R145	RES MF 365 OHM 1% 1/4W	144505
R87	RES MF 4.75 OHM 1% 1/4W	144658	R146	RES MF 365 OHM 1% 1/4W	144505
R88	RES MF 2.21 OHM 1% 1/4W	144607	R147	RES MF 365 OHM 1% 1/4W	144505
R89	RES MF 10K 1% 1/4W	144504	R148	RES MF 365 OHM 1% 1/4W	144505
R90	RES MF 10K 1% 1/4W	144504	R149	RES MF 365 OHM 1% 1/4W	144505
R91	RES MF 10K 1% 1/4W	144504	R150	RES MF 365 OHM 1% 1/4W	144505
R92	RES MF 47.5K 1% 1/4W	144526	R151	RES MF 2.67K 1% 1/4W	144534
R93	RES MF 47.5K 1% 1/4W	144526	R152	RES MF 2.67K 1% 1/4W	144534
R94	RES MF 2.67K 1% 1/4W	144534	R153	RES MF 2.67K 1% 1/4W	144534
R95	RES MF 182 OHM 1% 1/4W	144579	R154	RES MF 2.67K 1% 1/4W	144534
R96	RES MF 2.67K 1% 1/4W	144534	R155	RES MF 1.33K 1% 1/4W	144619
R97	RES MF 182 OHM 1% 1/4W	144579	R156	RES MF 1.33K 1% 1/4W	144619
R98	RES MF 182 OHM 1% 1/4W	144579	R157	RES MF 3.92K 1% 1/4W	144569
R99	RES MF 2.67K 1% 1/4W	144534	R158	RES MF 3.92K 1% 1/4W	144569
R100	RES MF 182 OHM 1% 1/4W	144579	R159	RES MF 3.92K 1% 1/4W	144569
R101	RES MF 2.67K 1% 1/4W	144534	R160	RES MF 3.92K 1% 1/4W	144569
R102	RES MF 365 OHM 1% 1/4W	144505	R161	RES MF 1.33K 1% 1/4W	144619
R103	RES MF 365 OHM 1% 1/4W	144505	R162	RES MF 1.33K 1% 1/4W	144619
R104	RES MF 365 OHM 1% 1/4W	144505	R163	RES MF 47.5K 1% 1/4W	144526
R105	RES MF 365 OHM 1% 1/4W	144505	R164	RES MF 47.5K 1% 1/4W	144526
R106	RES MF 365 OHM 1% 1/4W	144505	R165	RES MF 499 OHM 1% 1/4W	144510
R107	RES MF 365 OHM 1% 1/4W	144505	R166	RES MF 499 OHM 1% 1/4W	144510
R108	RES MF 365 OHM 1% 1/4W	144505	R167	RES MF 100 OHM 1% 1/4W	144568

PARTS LIST (Cont'd.)

AUDIO PCB 750616 (Cont'd.)

Ref. No.	Description	Part No.	Ref. No.	Description	Part No.
R168	RES MF 100 OHM 1% 1/4W	144568	R208	RES MF 47.5K 1% 1/4W	144526
R169	RES MF 1K 1% 1/4W	144513	R209	RES MF 1K 1% 1/4W	144513
R170	RES MF 1K 1% 1/4W	144513	R210	RES MF 499 OHM 1% 1/4W	144510
R171	RES MF 47.5K 1% 1/4W	144526	R211	RES MF 866 OHM 1% 1/4W	144503
R172	RES MF 10K 1% 1/4W	144504	R212	RES MF 1K 1% 1/4W	144513
R173	RES MF 10K 1% 1/4W	144504	R213	RES MF 3.16K 1% 1/4W	144570
R174	RES MF 10K 1% 1/4W	144504	R214	RES MF 100 OHM 1% 1/4W	144568
R175	RES MF 47.5K 1% 1/4W	144526	R215	RES MF 47.5K 1% 1/4W	144526
R176	RES MF 10K 1% 1/4W	144504	R216	RES MF 1K 1% 1/4W	144513
R177	RES MF 47.5K 1% 1/4W	144526	R217	RES MF 47.5K 1% 1/4W	144526
R178	RES MF 47.5K 1% 1/4W	144526	R218	RES MF 499 OHM 1% 1/4W	144510
R179	RES MF 47.5K 1% 1/4W	144526	R219	RES MF 100 OHM 1% 1/4W	144568
R180	RES MF 2.67K 1% 1/4W	144534	R220	RES MF 1K 1% 1/4W	144513
R181	RES MF 182 OHM 1% 1/4W	144579	U2	QUAD 2 INPUT NOR GATES	133640
R182	RES MF 2.67K 1% 1/4W	144534	U4	IC SPST QUAD FET SWITCHES N O	133580
R183	RES MF 182 OHM 1% 1/4W	144579	U5	IC OP AMP DUAL FET INPUT	133432
R184	RES MF 182 OHM 1% 1/4W	144579	U6	IC OP AMP DUAL FET INPUT	133432
R185	RES MF 2.67K 1% 1/4W	144534	U7	IC DUAL OPERATIONAL AMPLIFIER	133578
R186	RES MF 182 OHM 1% 1/4W	144579	U8	IC DUAL OPERATIONAL AMPLIFIER	133578
R187	RES MF 2.67K 1% 1/4W	144534	U9	IC DUAL OPERATIONAL AMPLIFIER	133578
R188	RES MF 365 OHM 1% 1/4W	144505	U10	IC DUAL OPERATIONAL AMPLIFIER	133578
R189	RES MF 365 OHM 1% 1/4W	144505	U11	IC DUAL OPERATIONAL AMPLIFIER	133578
R190	RES MF 365 OHM 1% 1/4W	144505	U13	IC SPST QUAD FET SWITCHES N O	133580
R191	RES MF 365 OHM 1% 1/4W	144505	U14	IC OP AMP DUAL FET INPUT	133432
R192	RES MF 365 OHM 1% 1/4W	144505	U15	IC OP AMP DUAL FET INPUT	133432
R193	RES MF 365 OHM 1% 1/4W	144505	U16	IC DUAL OPERATIONAL AMPLIFIER	133578
R194	RES MF 365 OHM 1% 1/4W	144505	U17	QUAD 2 INPUT NOR GATES	133640
R195	RES MF 365 OHM 1% 1/4W	144505	U19	IC SPST QUAD FET SWITCHES N O	133580
R196	RES MF 2.67K 1% 1/4W	144534	U20	IC OP AMP DUAL FET INPUT	133432
R197	RES MF 2.67K 1% 1/4W	144534	U21	IC OP AMP DUAL FET INPUT	133432
R198	RES MF 1.82K 1% 1/4W	144582	U22	IC DUAL OPERATIONAL AMPLIFIER	133578
R199	RES MF 1.82K 1% 1/4W	144582	U24	IC SPST QUAD FET SWITCHES N O	133580
R200	RES MF 1.33K 1% 1/4W	144619	U25	IC OP AMP DUAL FET INPUT	133432
R201	RES 1.37K 1% 1/4W	144515	U26	IC OP AMP DUAL FET INPUT	133432
R202	RES MF 3.92K 1% 1/4W	144569	U27	IC DUAL OPERATIONAL AMPLIFIER	133578
R203	RES MF 3.92K 1% 1/4W	144569	U28	IC DUAL OPERATIONAL AMPLIFIER	133578
R204	RES MF 8.06K 1% 1/4W	144522		ASSY INSERTION PCB AUDIO	702427
R205	RES MF 8.06K 1% 1/4W	144522		ASSY PCB AUDIO SM PARTS	710004
R206	RES MF 1.33K 1% 1/4W	144619			
R207	RES 1.37K 1% 1/4W	144515			

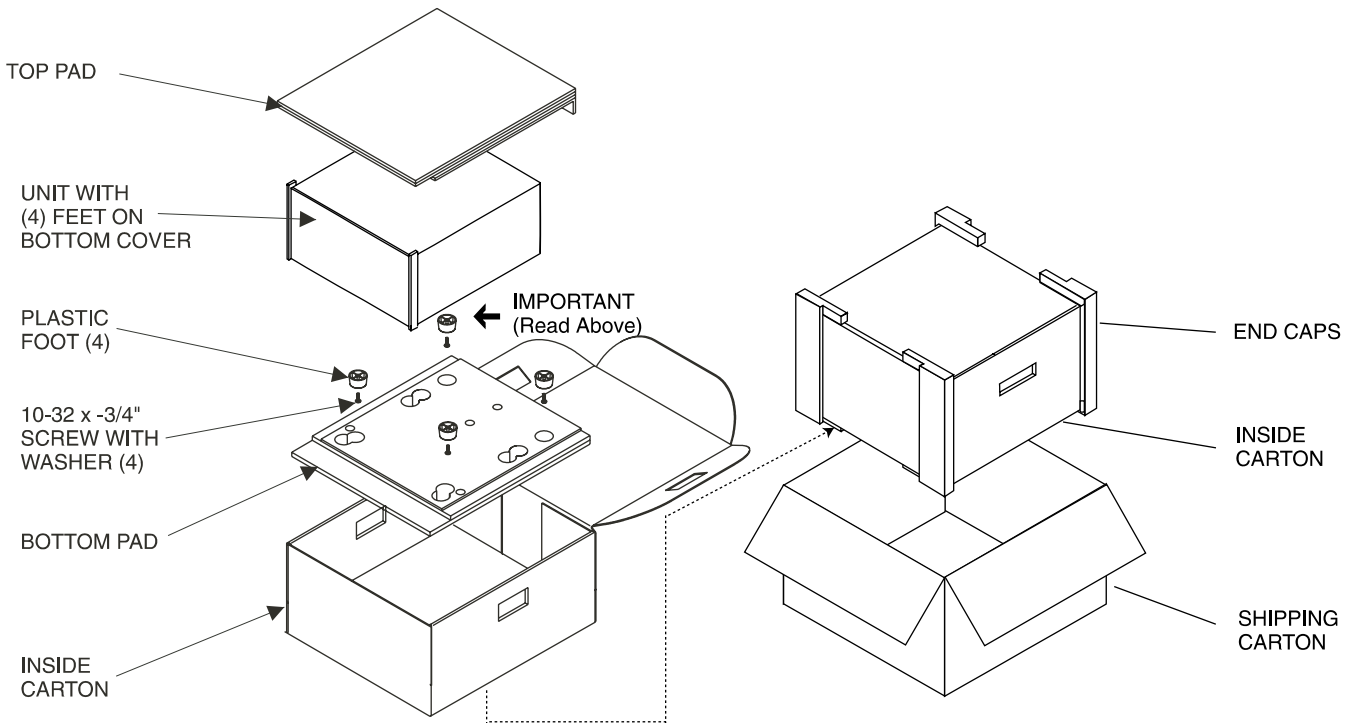
PARTS LIST (Cont'd.)

REPACKING INSTRUCTION

Packing Instructions

In the event it is necessary to repack the equipment for shipment, the equipment must be packed exactly as shown below. It is very important that the four plastic feet are attached to the bottom of the equipment. This will ensure the proper equipment location on the bottom pad. Failure to do this will result in shipping damage. Use the original shipping carton and interior parts only if they are all in good serviceable condition. If a shipping carton or any of the interior part(s) are needed, please call or write Customer Service Department of McIntosh Laboratory. Refer to page 4. Please see the Part List for the correct part numbers.

Quantity	Part Number	Description
1	033838	Shipping carton only
4	033837	End cap
1	033836	Inside carton only
1	033725	Top pad
1	034301	Bottom pad
4	017937	Plastic foot
4	400159	#10-32 x 3/4" screw
4	404080	#10-7/16" Flat washer



MVP871

AUDIO VIDEO PLAYER

SERVICE MANUAL

SERIAL NO. XS1001 And Above



The continuous improvement of its products is the policy of McIntosh Laboratory Incorporated, who reserve the right to improve design without notice. Because of the constant upgrading of McIntosh products' circuitry and components, the Company cannot insure, and does not warrant, the accuracy of the within schematic material, which is intended for information only.